



Barrel Silencer Aeration Fan Installation Instructions

Applicable Models:

All Axial, Centrifugal, Radial Blade, and Backward Inclined Fans

Safety



Read and understand the safety information in the Aeration Fan manuals before proceeding. Read and understand these instructions before installing the Barrel Silencer.

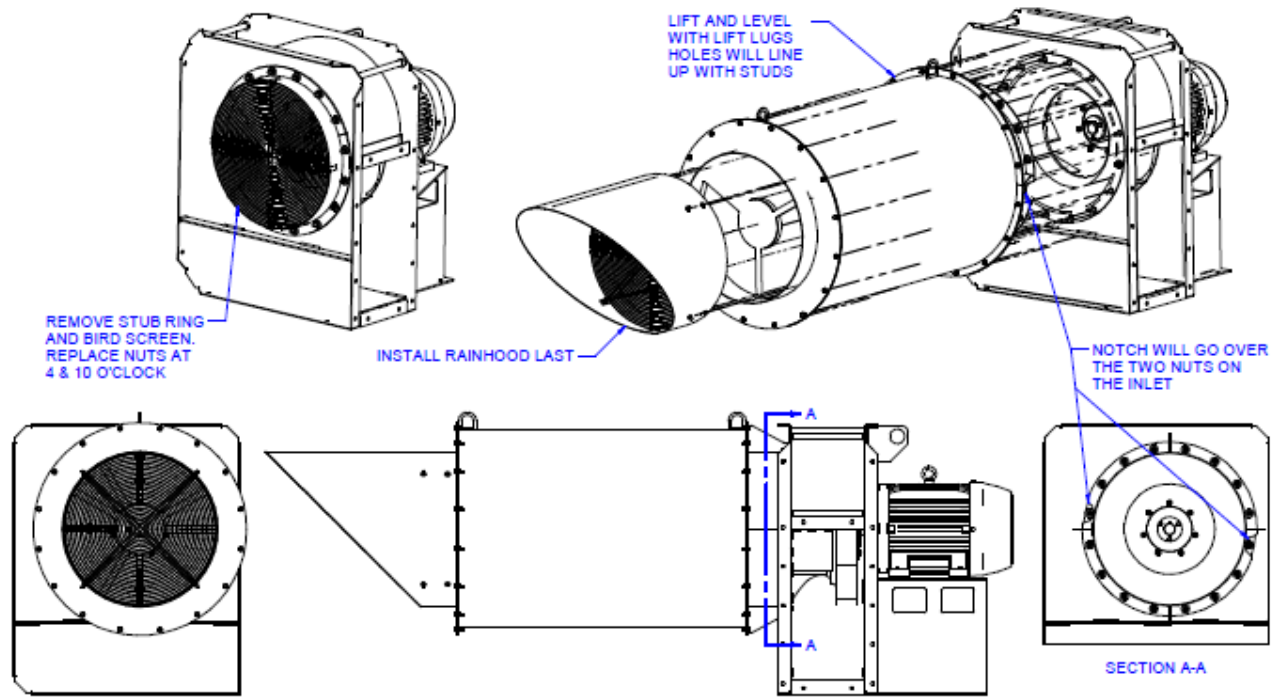
Installation Instructions

Important

Use appropriate lifting device to lift the silencer by the two lift lugs. Silencers weigh between 100 to 300lbs (see drawing for actual weight).

To install the AGI Airlanco Barrel Silencer:

1. Remove stub ring on the fan inlet. Nuts are 3/4".
2. Replace nuts and washers at the 4 and 10 O'clock positions. This ensures the inlet orifice does not shift during silencer installation. Check that the wheel freely spins.
 - a. Positions may vary. Double check against notches on the silencer flange.
 - b. Sealant can be applied where the stub was, if required.
3. Lift the silencer and slide to fan over stubs.
4. Replace washers and nuts. Tighten all nuts. If possible, recheck that wheel freely spins.
5. Install the Rainhood. Slip over open end of silencer and use self-drilling screws to affix.
6. Support silencer assembly. AGI Airlanco fans can support weight but additional support is recommended to reduce stress on parts.



Warranty

Terms and Conditions

The ADDRESSEE is hereinafter referred to as PURCHASER and AIRLANCO as SELLER.

A. Shipments, deliveries and performances of work shall at all times be subject to the approval of the SELLER'S Credit Department and the SELLER may at any time decline to make any shipment or delivery or perform any work except upon receipt of payment or upon terms and conditions or security satisfactory to such Department.

B. If PURCHASER has resale tax permit and materials are for resale, PURCHASER should show this information on his purchase order.

C. Unit paid for, the title to and ownership and right of possession of material covered by this contract shall be and remain in the SELLER until SELLER'S right to lien attaches to said materials in the structure for which it is intended, and in case the PURCHASER shall become insolvent, or refuse or neglect to pay for materials herein provided, the SELLER may at its option, without process of law, retake possession of any or all materials wherever the same may be found, except as above provided, and credit the account of the PURCHASER with the value thereof to the SELLER, less the necessary cost and freight charges in retaking the same.

D. It is expressly understood that there are not understandings or agreements other than those expressed herein.

E. After acceptance of order, but before shop drawings are made or an order placed in production, or before buying, or before manufacturing special materials or products, an order may be changed or canceled by mutual agreement confirmed in writing; but after making shop details or placing an order in production or ordering or manufacturing special materials or products, an order may not be changed or canceled without the PURCHASER assuming charges for loss incurred. Such charges will be invoiced at cost plus 15%.

F. Promises of shipment are estimates based upon information at the time and, to the best of our knowledge, are accurate. Every effort will be made to ship on schedule, but we assume no liability for delays.

G. No materials or equipment will be accepted for return without first obtaining our approval. All products manufactured by or sold by AIRLANCO are warranted to be free of latent defects in either materials or workmanship. Any product failing to meet said standards, in either materials or workmanship will be replaced, in exchange for part in which defect was found. Unless otherwise stated, PURCHASER'S claims must be registered within 60 days after date of shipment and must be substantiated by our inspection. No claims will be allowed for correction of alleged misfits, unless the SELLER shall have been notified and his responsibility proved. Ordinary inaccuracies of shop work shall not be considered misfits. See additional warranty conditions in Section J.

H. Any modification or change in specifications, design, or price by either the PURCHASER or SELLER affecting this quotation must be confirmed in writing, showing the number and date of the quotation or order.

I. SELLER certifies that the products covered hereby are fabricated by it in accordance with all federal laws.

Warranty

The property sold hereunder is warranted for one full year against defective workmanship or materials. Such warranty is expressly limited to replacing or repairing any property sold hereunder, which is demonstrated to seller's reasonable satisfaction to have been defective at the time of delivery thereof. If within one (1) year after delivery to the customer the product fails to function properly due to a defect in either materials or workmanship, the seller will at its option, either repair the defective part or replace the defective part with a new or reconditioned part. Labor charges for removing defective parts and installing replacement parts and applicable sales and other taxes, if any, shall not be covered by this warranty. Seller shall not be liable for any special, indirect, or consequential damages.

Seller will use all reasonable means to deliver within the time specified, but shall not be held responsible or liable for any loss, damage, detention or delay caused by accidents, strikes, lockouts, fire, explosions, theft, lightning, windstorm, earthquake, floods, storms, riots, civil commotion, malicious mischief, act of God or by

any other cause beyond its reasonable control whether or not the same is herein specified and in any event, seller shall not be liable for any special, indirect or consequential damages arising therefrom.

This warranty is expressly accepted by the buyer in lieu of any or all other warranties or representations, express or implied, in fact or in law arising out of the sale of the property and of all duties or liabilities of seller to the buyer arising out of the use of the property sold; and no agreement or understanding varying or extending the same will be binding upon seller unless in writing and signed by a duly authorized officer of seller. All electrical equipment carries standard manufacturer's warranties.

AIRLANCO is an AGI Brand.

AGI is a leading provider of equipment solutions for agriculture bulk commodities including seed, fertilizer, grain, and feed systems with a growing platform in providing equipment and solutions for food processing facilities. AGI has manufacturing facilities in Canada, the United States, the United Kingdom, Brazil, South Africa, India and Italy and distributes its products globally.



312 South Highway 73, PO BOX 398, Falls City, Nebraska, USA 68355
P 800.500.9777 (Canada & USA) or 402.245.2325 | F 402.245.5196 | E sales@airlanco.com

AGGROWTH.COM aggrowthintl ©Ag Growth International Inc. 2023 | Printed in USA