

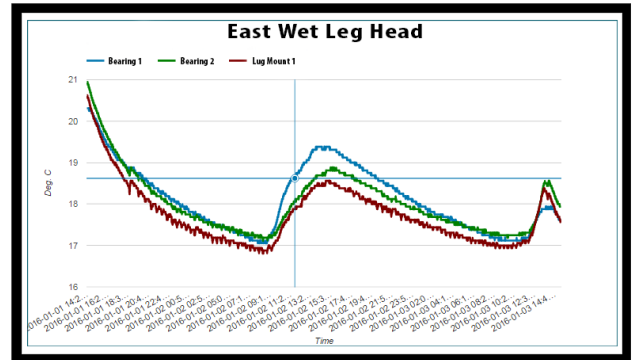


WS2-HM

HAZARD MONITORING WEB SERVER CONTROLLER



Accountability and Predictive
Maintenance Capability



Sensor Trending And Alarm
History At The Push Of A Button

- Simple set-up, user-friendly navigation and machine graphics
- Compatible with any PLC or PC
- Easy implementation and configuration - avoid unnecessary HMI/PLC programming
- Values can be displayed in Imperial, Metric, or user-configurable units
- Browser accessible, no software loaded on workstation
- Remote access to data and alarms through wireless Gateway
- Intuitive screens for at-a-glance alarm location and condition identification
- Fully compatible with existing CMC Intrinsically Safe network
- DIN rail mount for easy installation

WS2-HM DS 1022

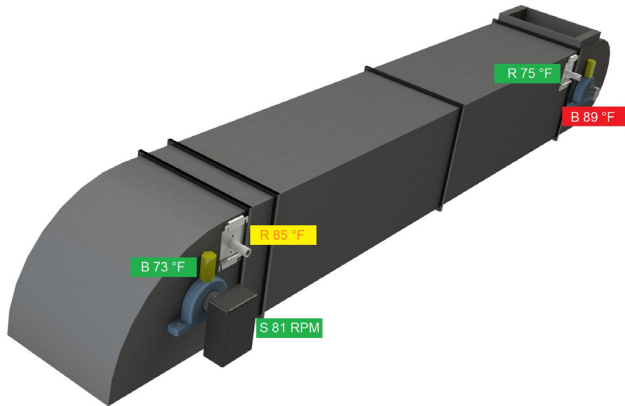
855.293.5607 | sales-cmc@aggrowth.com

AGGROWTH.COM/CMC



WS2-HM

HAZARD MONITORING WEB SERVER CONTROLLER



Intuitive machine screens and user interface enable straightforward system navigation and configuration for at-a-glance status and alarm reporting



SPECIFICATIONS	DESCRIPTION	CHARACTERISTIC
POWER SUPPLY	Voltage Current	24 VDC SELV/PELV 1.5 A (36 VA)
ETHERNET COMMUNICATION PROTOCOLS	EtherNet/IP and Modbus TCP/IP	RJ-45 port
BUS CONVERTER COMMUNICATION	Standard Distance Input Load Termination	RS485 differential 1640ft (500m) 60k Ω , 1/5 load standard 120 Ω balanced line
ENVIRONMENT	Temperature Relative Humidity	32°F to 122°F (0°C to 50°C) 0 to 70% non-condensing
DIMENSIONS	Length Width Height	7.0" (179mm) 4.6" (116mm) 3.0" (76mm)

WS2-HM DS 1022

855.293.5607 | sales-cmc@aggrowth.com

AGGROWTH.COM/CMC