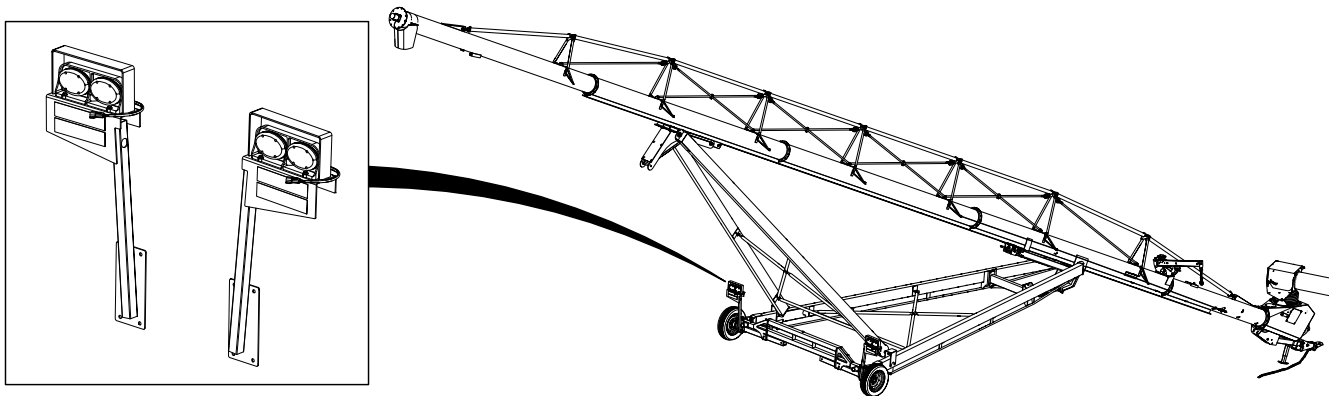




# A341/A342/A343/A344/A345/A346/A347 Transport Light Kit Portable Grain Auger Installation Instructions

Applicable Models:

Westfield MKX, Westfield X, AGI X, Hutchinson HX, & Mayrath HX Series

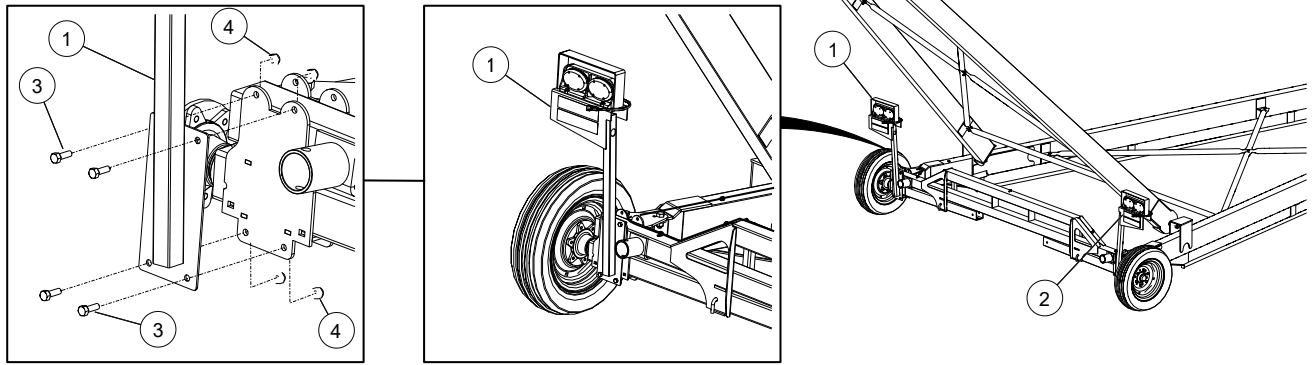


## Installation Procedure

The lighting kit consists of two transport light mount assemblies (LH/RH), a wiring harness, and hardware.

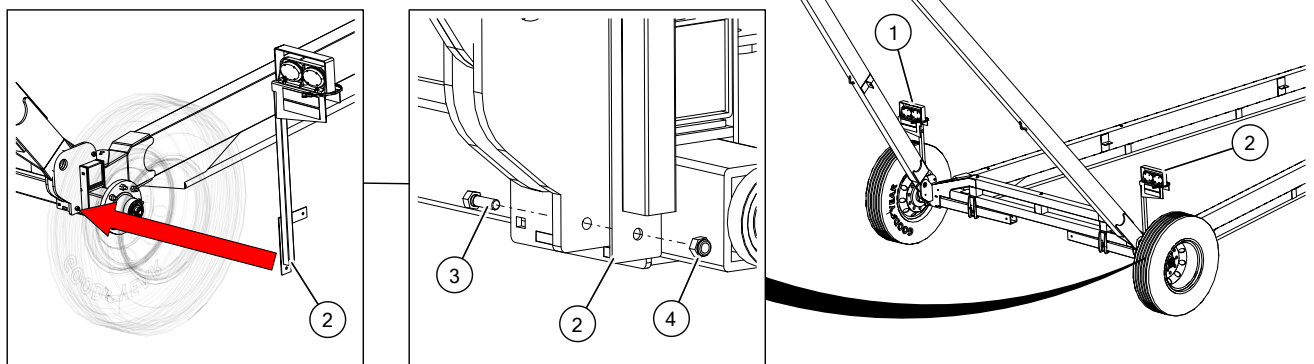
1. Attach the light mount assemblies to the axle with 7/16" x 1-1/4" bolts and locknuts, then plug the transport light connector to the wiring harness connector. Ensure that the connectors are fully engaged.
2. Run the wiring harness along the axle to the lower frame and fasten the harness with the P-clamps.
3. Run the wiring harness up the lower frame to the lower tube and secure it with the P-clamps. Mount the P-clamps approximately 6 ft apart on the frame.
4. Run the wiring harness down the lower tube along the hydraulic hoses to the boot assembly and secure using zip ties.
  - **MKX13-94 Model:** Attach the 5 ft extension cable to the main transport light harness.
5. Plug the wiring harness connector into the work light kit connector. Ensure that the connectors are fully engaged.

**13" Models**



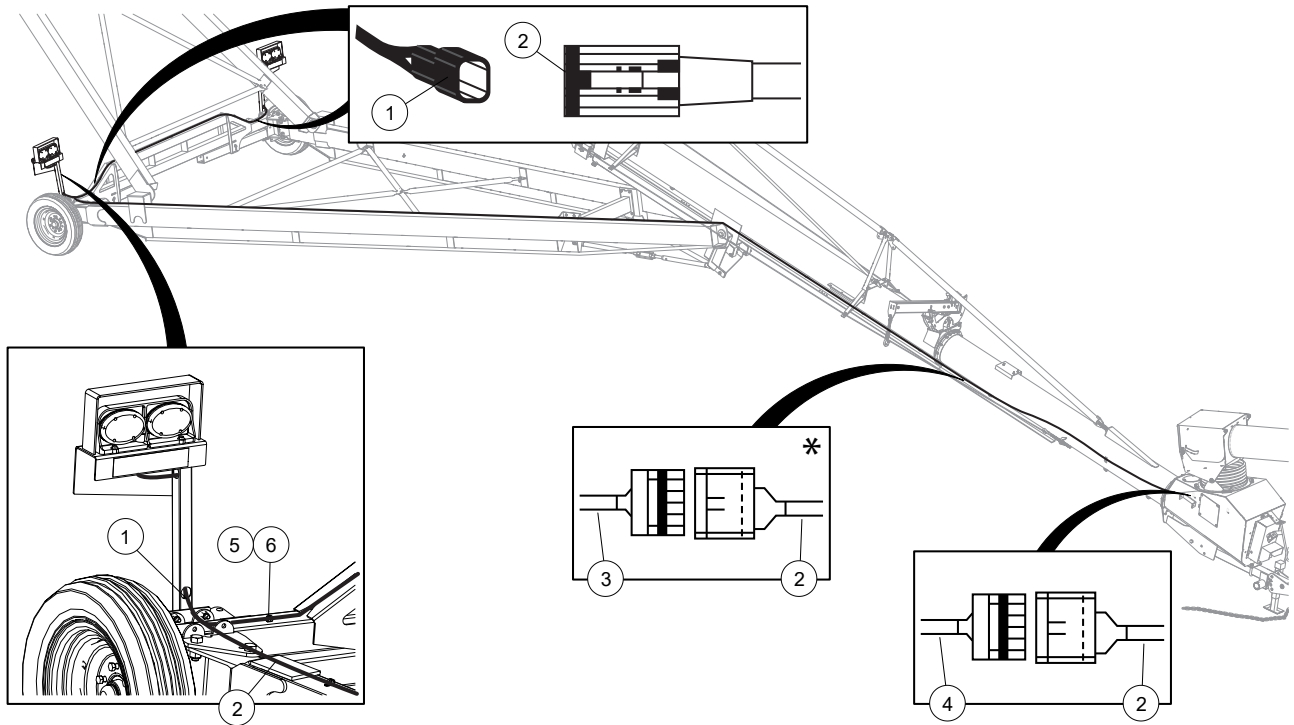
1	Light Mount Assembly, RH	3	Bolt, 7/16" x 1-1/4"
2	Light Mount Assembly, LH	4	Locknut, 7/16"

**16" Models**



1	Light Mount Assembly, RH	3	Bolt, 7/16" x 1-1/4"
2	Light Mount Assembly, LH	4	Locknut, 7/16"

# Harness Routing



\* MKX13–94 Model Only

1	LED Light Harness	4	Work Light Harness
2	Transport Light Harness	5	P-Clamp, 3/8"
3	Transport Light Harness Extension (MKX13-94 Only)	6	Tek Screw, #8 x 3/4"



P.O. Box 39  
 Rosenort, Manitoba, R0G 1W0 Canada  
 Phone: (866) 467-7207 (Canada & USA) or (204) 746-2396  
 Fax: (866) 768-4852

Website: [www.aggrowth.com](http://www.aggrowth.com)  
 Email: [sales@grinaugers.com](mailto:sales@grinaugers.com)  
 ©Ag Growth International Inc. 2020, Printed in Canada