



BATCO FX⁴ SP

10" tube
15" belt
Up to 8,000 BPH
39' | 44' | 49' lengths

The FX⁴ SP is built to move—and now, with a trusted mover kit, it delivers efficient, on-the-go grain handling from bin to bin.

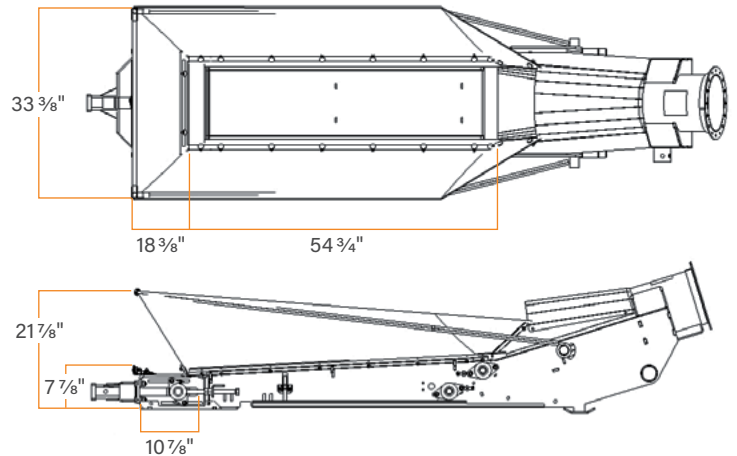


Features

Parallel hopper cloth stays 33 3/8" wide for the full working length.

Drive roller and pinch roller track together and are easier to access with a removable top plate.

FLTD - Field Loader Top Drive



No-nonsense discharge hood

Grain flows straight down from the spout.

Pinch roller design

Allows for easier assembly, better belt traction and improved efficiency.

Drive

Comes gas over hydraulic with a 37 HP Vanguard engine.

Self-propelled mover kit

Hydraulic steering and rugged all-terrain tires for easier bin access and tighter turning radius.

Makes moving around the yard easy with no lifting.

Hopper and under hopper skid plate

Includes a pivoting skid plate protecting the bottom of the belt from debris damage, and making it easier for one person clean-out.



BATCO FX⁴ SP



FX ⁴ SP	1539	1544	1549
Capacity	Up to 8000 bph		
Tube gauge	10" x 14 ga		
Belt type	15" wide chevron		
Belt length	84' 4"	94' 4"	104' 4"
Lift	Hydraulic winch		
Frame type	A-frame		
Axle	2 1/2" sq. x 1/8"		
Hub	4-bolt on 5.0", 3.62" pilot		
Tires	4-bolt ST205/75D15		
Parking jack	7000 lbs rating, top twist, 2 1/2" receiver, 25" travel		
Hopper dimensions	54 3/4" length x 33 3/8" width x 21 7/8" height		
HP required (with dry wheat)	37 hp		
Conveyor width (hub face to face)	7.5' (90")		

FX ⁴ SP	Height lowered	Height halfway	Height raised	Reach lowered	Reach halfway	Reach raised	Height at lift arms halfway	Height at wheels raised	Reach at lift arms halfway	Reach at wheels raised	Height at 23° angle to bottom of spout
1539	8' 10.75" (2.718 m)	15' 4.62" (4.705 m)	20' 4.5" (6.185 m)	18' 7.125" (5.645 m)	17' 9.75" (5.41 m)	17' 0.62" (5.15 m)	10' 2.37" (3.131 m)	11' 6.25" (3.512 m)	14' 9" (4.458 m)	16' 8.25" (5.067 m)	13' 2.3125" (4.02 m)
1544	10' 2" (3.099 m)	16' 3.25" (4.959 m)	20' 11.5" (6.388 m)	21' 0.25" (6.407 m)	20' 7" (6.274 m)	20' 1.75" (6.14 m)	10' 4.25" (3.156 m)	11' 6.25" (3.512 m)	17' 5" (5.309 m)	19' 7" (5.969 m)	15' 4.875" (4.70 m)
1549	12' (3.658 m)	17' 7" (5.359 m)	20' 10" (6.35 m)	21' 5.25" (6.534 m)	21' 1.75" (6.445 m)	21' 1" (6.426 m)	10' 4.75" (3.167 m)	11' 6" (3.505 m)	17' 10.75" (5.455 m)	20' 2.25" (6.153 m)	17' 4.125" (5.29 m)

Heights measured from bottom of conveyor spout to ground.