

SWIVEL ARC KIT INSTALLATION & OPERATION FOR WR60/80/100 AUGERS



Read and understand the instructions in this manual before attempting to install this product.

Important: Auger must be empty and fully lowered.

HOW TO ASSEMBLE THE SWIVEL ARC KIT

1. Securely chock wheel on one side of auger.
2. Jack up other wheel and place sturdy support underneath axle close to wheel. Lower weight of auger onto this support.
3. Remove wheel and hub assembly from spindle. Keep dirt out of hub bearings and grease.
4. Place appropriate left or right swivel kit arm (A) onto spindle (see Figure 1). Secure arm with 3/4" slotted nut. Tighten snug only. Insert cotter pin.

Note: To determine left or right side of a grain auger, stand at intake end facing upper discharge end.

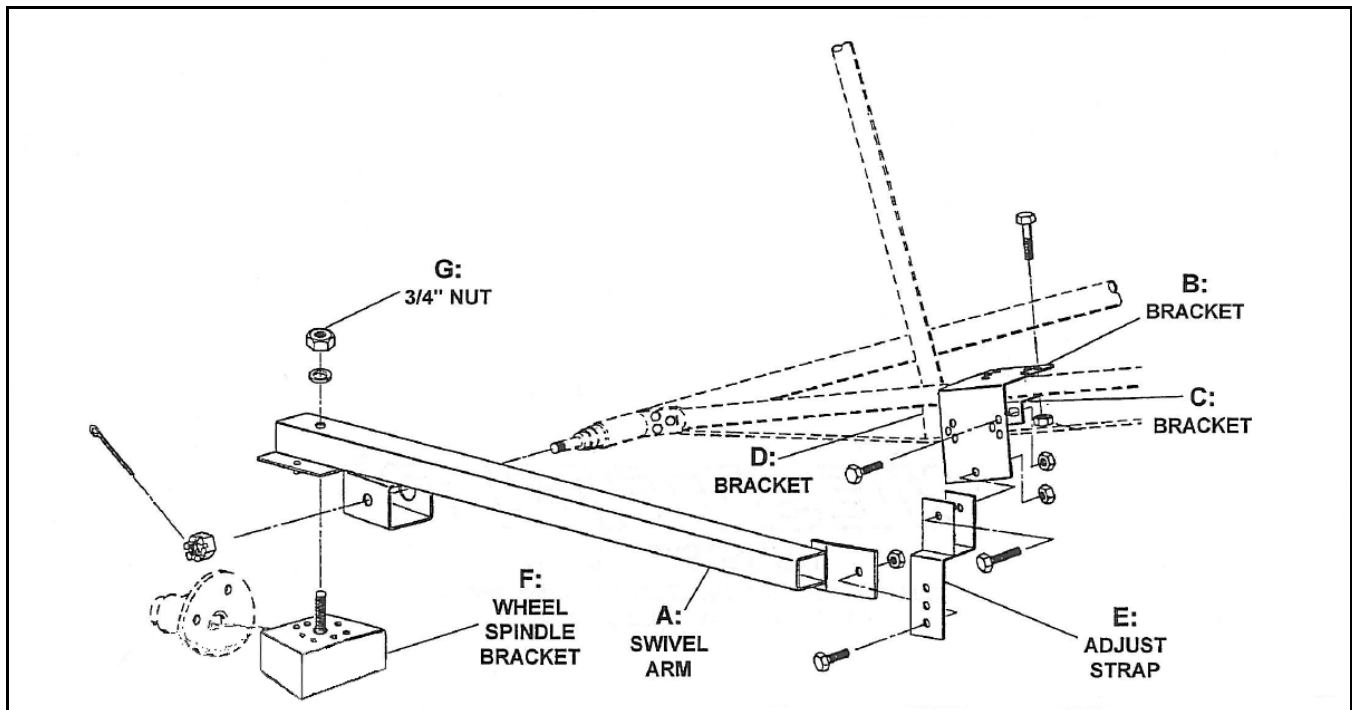


Figure 1 Assembling the Swivel Arc Kit

5. Loosely install brackets (B) and (C) to lower undercarriage tubes next to bracket (D) where upper lift arms are attached. Use two 7/16" x 1" bolts and locknuts and two 7/16" x 3-1/2" or 4" bolts and locknuts.
6. Secure adjust strap (E) to bracket (B) and to swivel arm (A) with two 1/2" x 1-1/4" bolts and locknuts. Adjust the angle of the wheel with this adjust strap. Securely tighten all bolts installed in Steps 5 and 6.

Note: *Since most bin installations require one basic auger height, the angle of the wheels should be adjusted once this height is determined. To change the angle of the wheels, see below.*

7. Secure wheel spindle bracket (F) to arm (A). Tighten securely with 3/4" nut and lockwasher.
8. Assemble hub. First remove dirt and paint from spindle. Wheel bearings should be thoroughly packed with a high-quality SAE-approved bearing grease. Place hub on spindle, insert small wheel bearing, then tighten 3/4" slotted nut until hub drags slightly. Back off nut about 1/4 turn until hub turns freely. Install cotter pin and dust cap.
9. Attach auger wheel to hub with four wheel bolts. Tighten securely. Jack up axle, remove support and lower jack.
10. Repeat above procedure on other wheel.

HOW TO CHANGE THE ANGLE OF THE WHEELS

1. Jack up axle.
2. Place safety support under axle.
3. Remove lower 1/2" x 1-1/4" bolt on adjust strap (E) and change angle of wheel as desired.
4. Replace and secure bolt and locknut.
5. Remove axle support and jack.
6. Repeat on other wheel.

HOW TO CHANGE WHEEL FROM SWIVEL TO TRANSPORT POSITION OR TRANSPORT TO SWIVEL POSITION

1. Jack up axle.
2. Place safety support under axle.
3. Loosen 3/4" nut (G) on swivel arm (A).
4. Change position of the wheel and re-tighten 3/4" nut.
5. Remove axle support and jack.

6. Repeat on other wheel.

Important: *If auger must be transported on the road for any considerable distance at speeds higher than 10 mph (16km/h), the wheels and hub assemblies should be re-installed on the auger axle spindle.*

Important: *When moving the auger sideways in the swivel arc position, make certain the area is level and free of debris. Holes and bumps may cause auger to upset.*

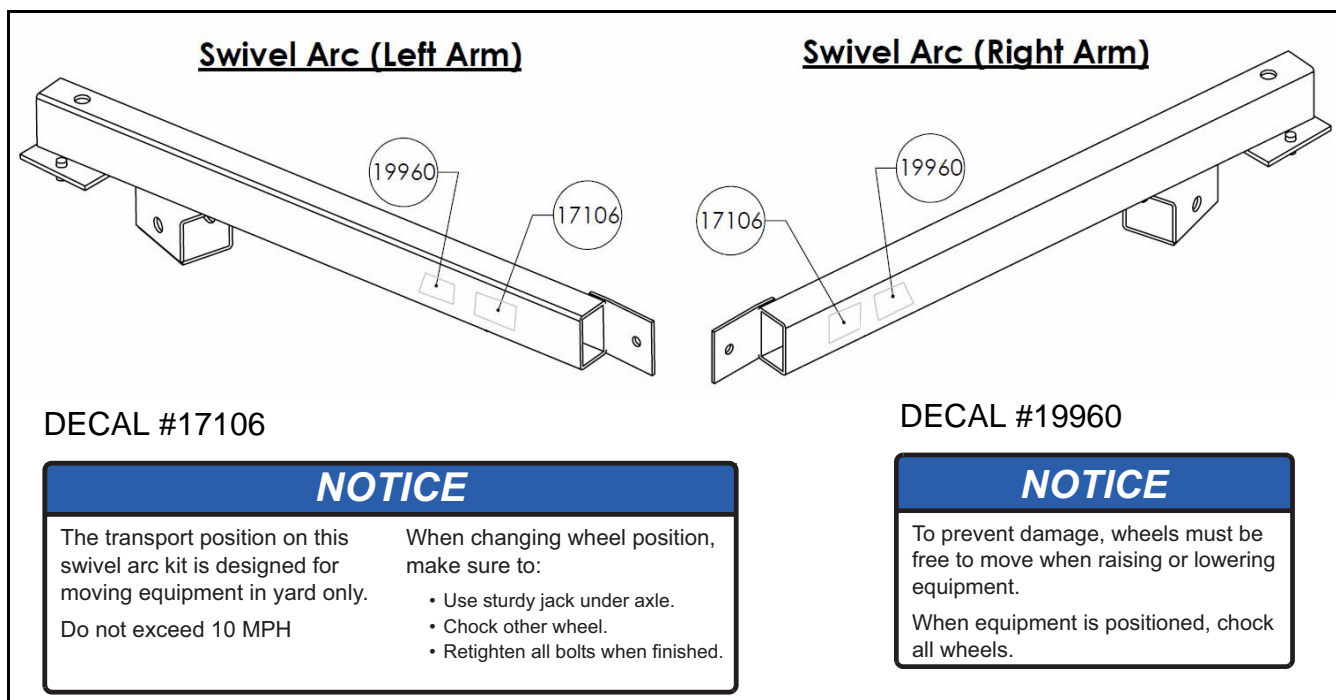


Figure 2 Equipment Decals

** Westfield reserves the right to update safety decals without notice. Safety decals may not be exactly as shown.*