



## RIGHT ANGLE DRIVE KIT [A267] FOR MKX130, X130, HX130 SERIES AUGER MODELS INSTALLATION INSTRUCTIONS



*Read and understand the safety information in the auger manual before proceeding.*



*Read and understand the instructions in this manual before attempting to install this product.*



*Refer to the auger manual for operation instructions.*

### PRE-INSTALLATION

To prepare auger for kit installation:

1. Park auger on level ground. Fully lower the auger tube scissor lift.
2. Chock auger wheels to prevent rolling.
3. Relieve pressure in hydraulic hose(s) and disconnect them from tractor.
4. Position the hitch jack to support auger intake, then unhook tractor from auger.
5. Install support leg as (see Figure 1).

**Important:** *The pin must be placed through the auger hitch. Do not use support leg without pin in place!*

6. Remove hitch jack.
7. Remove sprocket guard from boot.
8. Remove CV-PTO Driveline from auger by driving out the PTO roll pin.

#### Westfield | Wheatheart

part of the Ag Growth International group  
P.O. Box 39, Rosenort, Manitoba, R0G 1W0 Canada  
Ph: (866) 467-7207 or (204) 746-2396 Fax: (866) 768-4852  
Website: [www.grainaugers.com](http://www.grainaugers.com) | [www.wheatheart.com](http://www.wheatheart.com)  
Email: [sales@grainaugers.com](mailto:sales@grainaugers.com) | [sales@wheatheart.com](mailto:sales@wheatheart.com)

#### Hutchinson | Mayrath

part of the Ag Growth International group  
514 W. Crawford St., Clay Center, Kansas, 67432 USA  
Ph: (800) 523-6993 or (785) 632-2161 Fax: (785) 632-5964  
Website: [www.hutchinson-mayrath.com](http://www.hutchinson-mayrath.com)  
Email: [sales@hutchinson-mayrath.com](mailto:sales@hutchinson-mayrath.com)

© Ag Growth International Inc. 2018

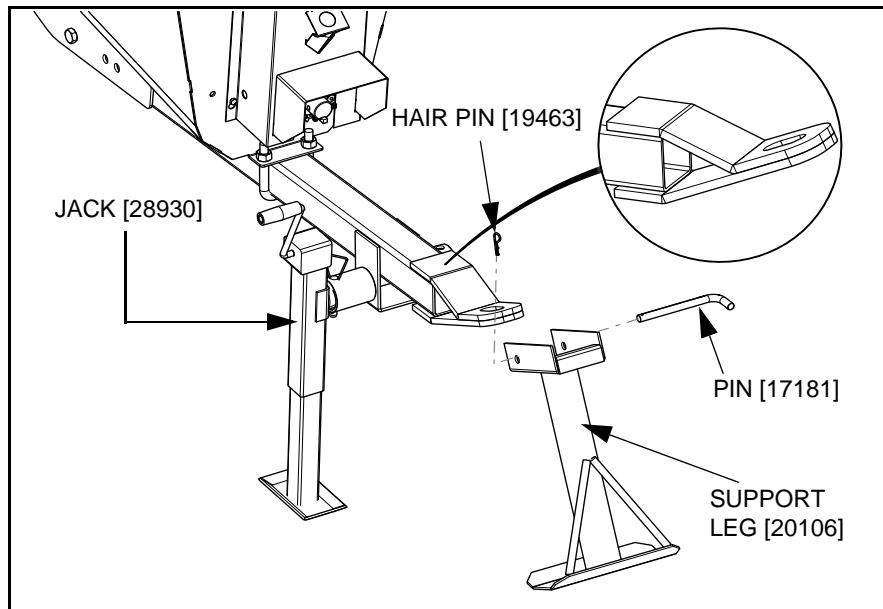


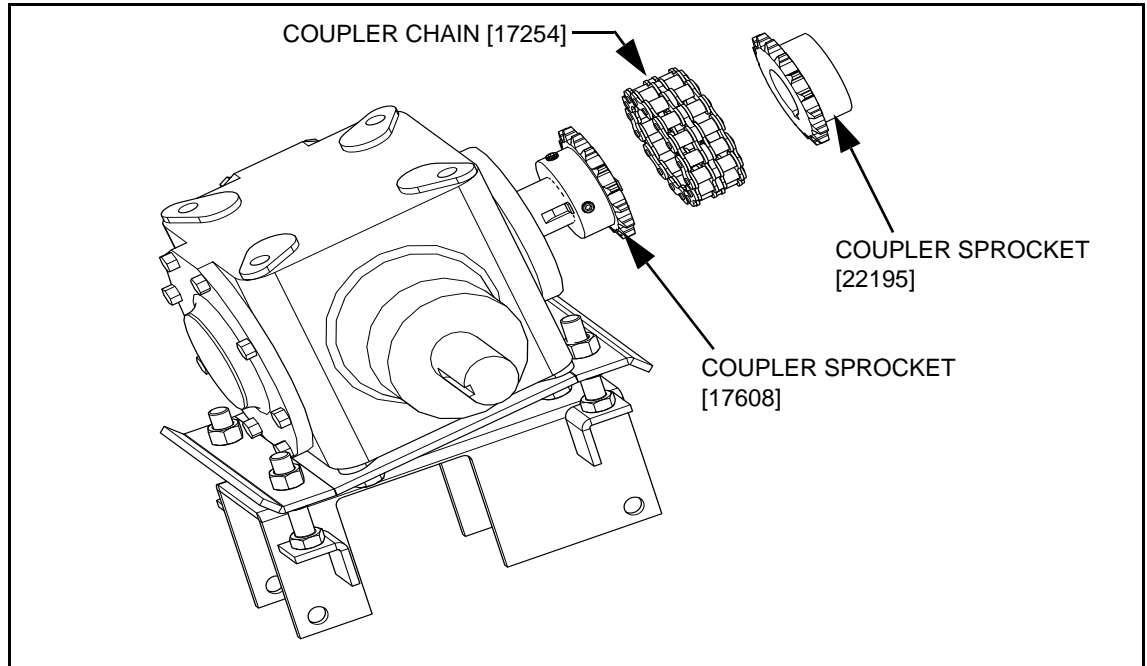
Figure 1 Installing Support Leg

## RIGHT ANGLE DRIVE INSTALLATION

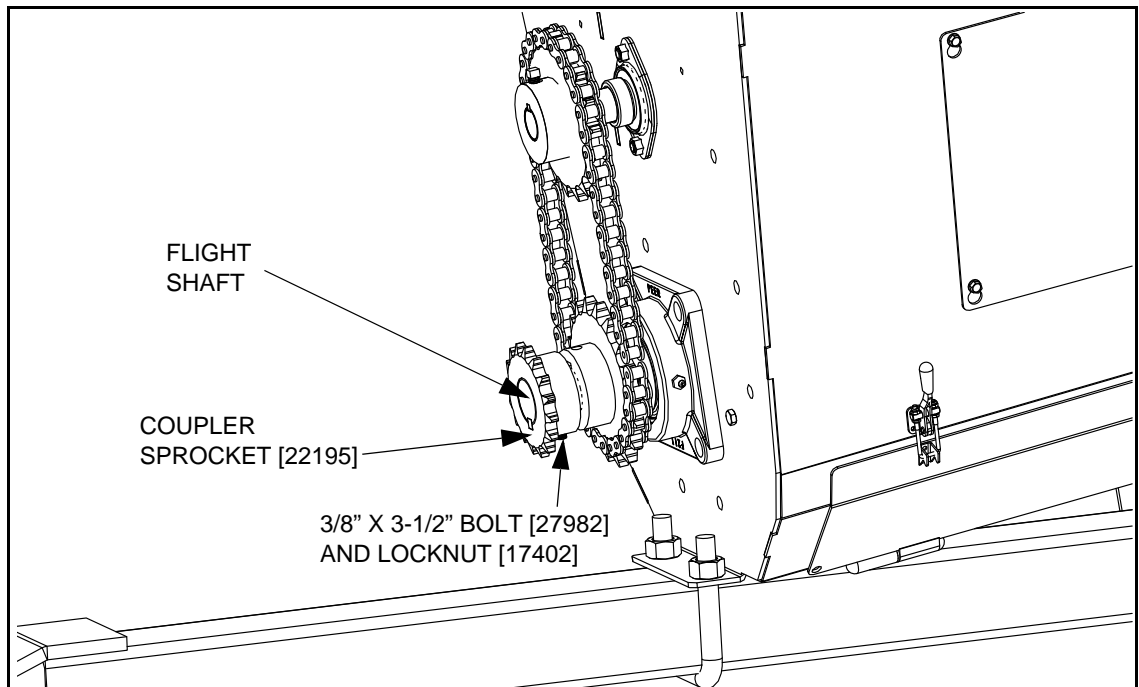
**Note:** *The gearbox is sent from the factory filled halfway with EP90 oil. Before further assembly, check oil level to make certain the gearbox is half full. Add oil if necessary. Do not use grease.*

1. Remove coupler chain from coupler sprockets (see Figure 2).
2. Slide the unconnected coupler sprocket onto end of the flight shaft with the outside face of the sprocket flush with end of the shaft, then secure using a 3/8" x 3-1/2" bolt and locknut (see Figure 3).
3. Position the gearbox mount assembly over the hitch tube as shown in Figure 4.
4. Position the jack mount below the hitch tube, as shown. Loosely fasten with 5/8" x 5-1/2" bolts and locknuts (see Figure 4). Do not tighten these bolts until step 8.
5. Loosen the bolts securing gearbox to adjust plate.
6. Loosen the 5/8" adjust nuts.
7. Align the coupler sprockets by adjusting gearbox vertically and horizontally. Leave about 3/8" clearance between sprockets (see Figure 5).
8. Tighten bolts and locknuts holding gearbox mount assembly to hitch tube.
9. Recheck the coupler sprocket alignment and make further adjustments if needed.
10. Tighten all gearbox and adjust plate bolts and nuts, and tighten all set screws on the sprockets.
11. Install the coupler chain on the coupler sprockets (see Figure 5).

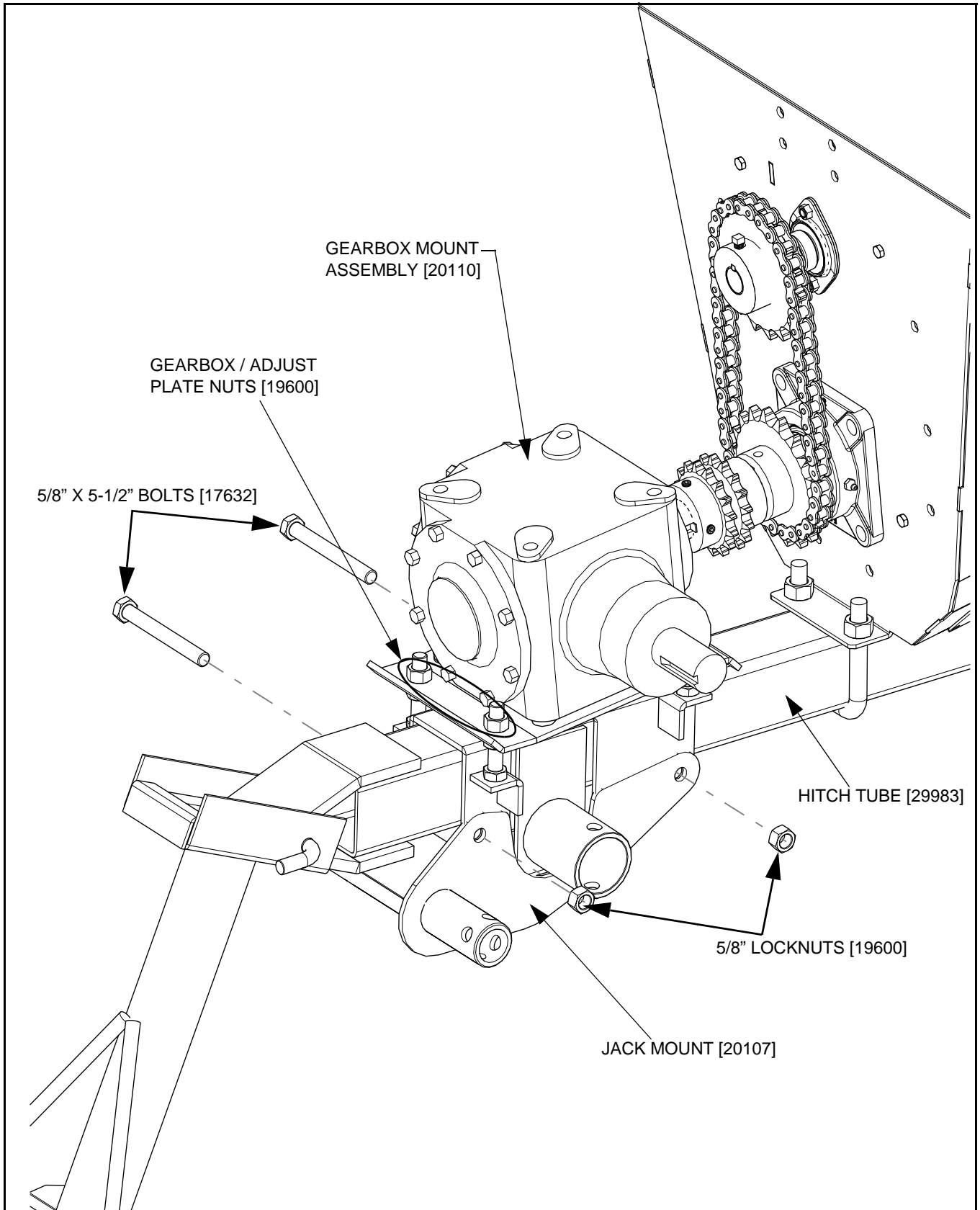
12. If necessary, adjust bottom drive chain to about 1/4" (0.64 cm) deflection by loosening the 4 bolts on the lower bearing, then re-tighten. Oil the drive chain as required.
13. Replace the sprocket guard.



**Figure 2 Removing Coupler Chain from Sprockets**



**Figure 3 Installing Coupler Sprocket on Flight Shaft**



**Figure 4 Installing Gearbox and Jack Mount**

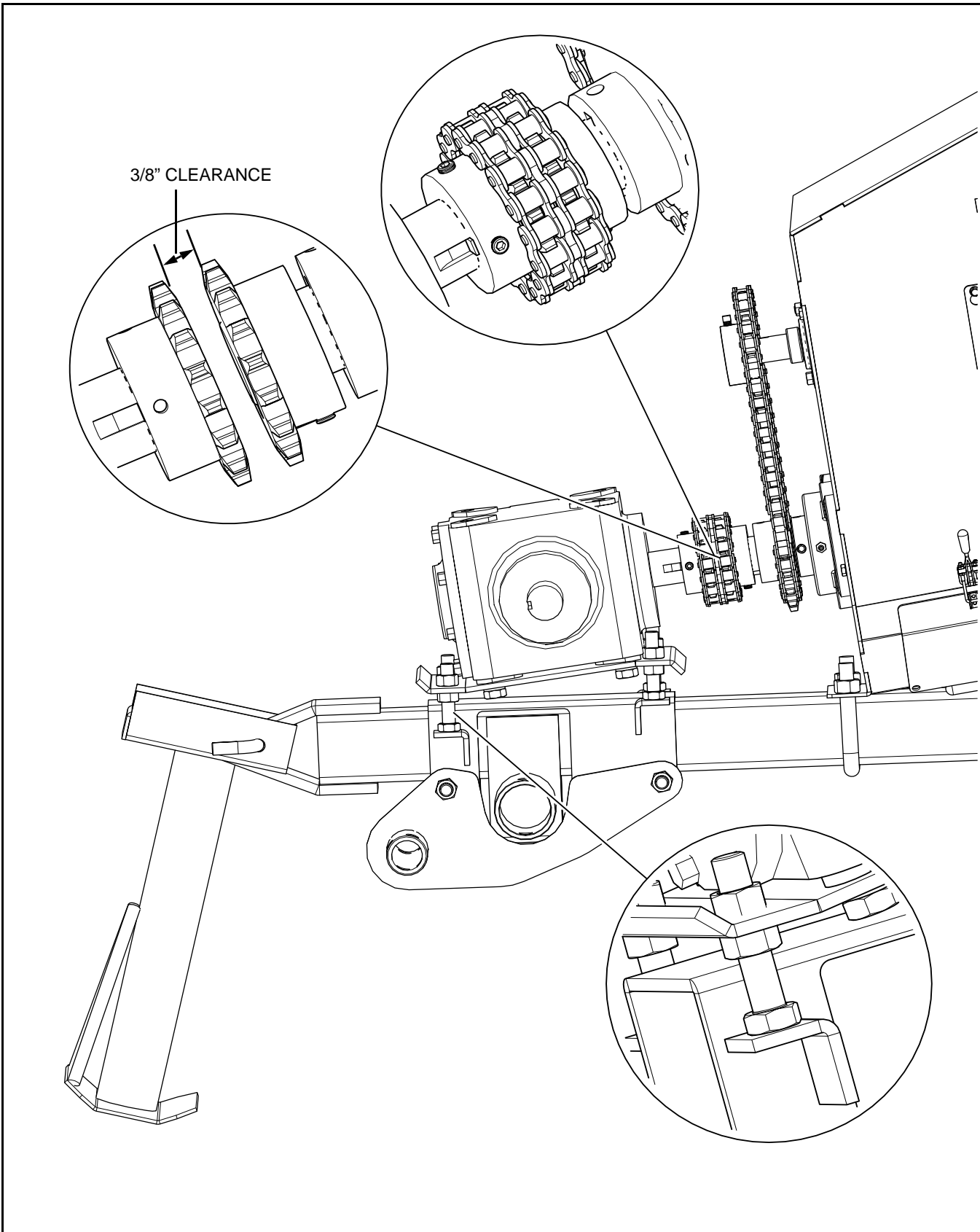


Figure 5 Adjusting Gearbox and Installing Coupler Chain

# PTO DRIVELINE

See Figure 6 and Figure 7 for assembly detail.

1. Remove any paint from the gearbox input shaft.
2. Slide the PTO driveline onto the gearbox input shaft, using a 3/8" x 1-3/4" square key. Tighten set screws securely.
3. Install the transport saddle with halfband on auger tube directly behind the boot. Use 7/16" x 1-1/4" bolts and locknuts.
4. Rotate transport saddle upwards or downwards until the PTO driveline clears the hopper winch handle. Tighten bolts.
5. Secure the PTO drive guard to guard attach plate using 3/8" x 3/4" bolts and washer locknuts, then tighten bolts.
6. Slide PTO drive guard over PTO driveline, then attach to gearbox using two 1/2" x 1" bolts and lock washers.
7. Place PTO in transport position (place in transport saddle and secure with saddle pin and hair pin).

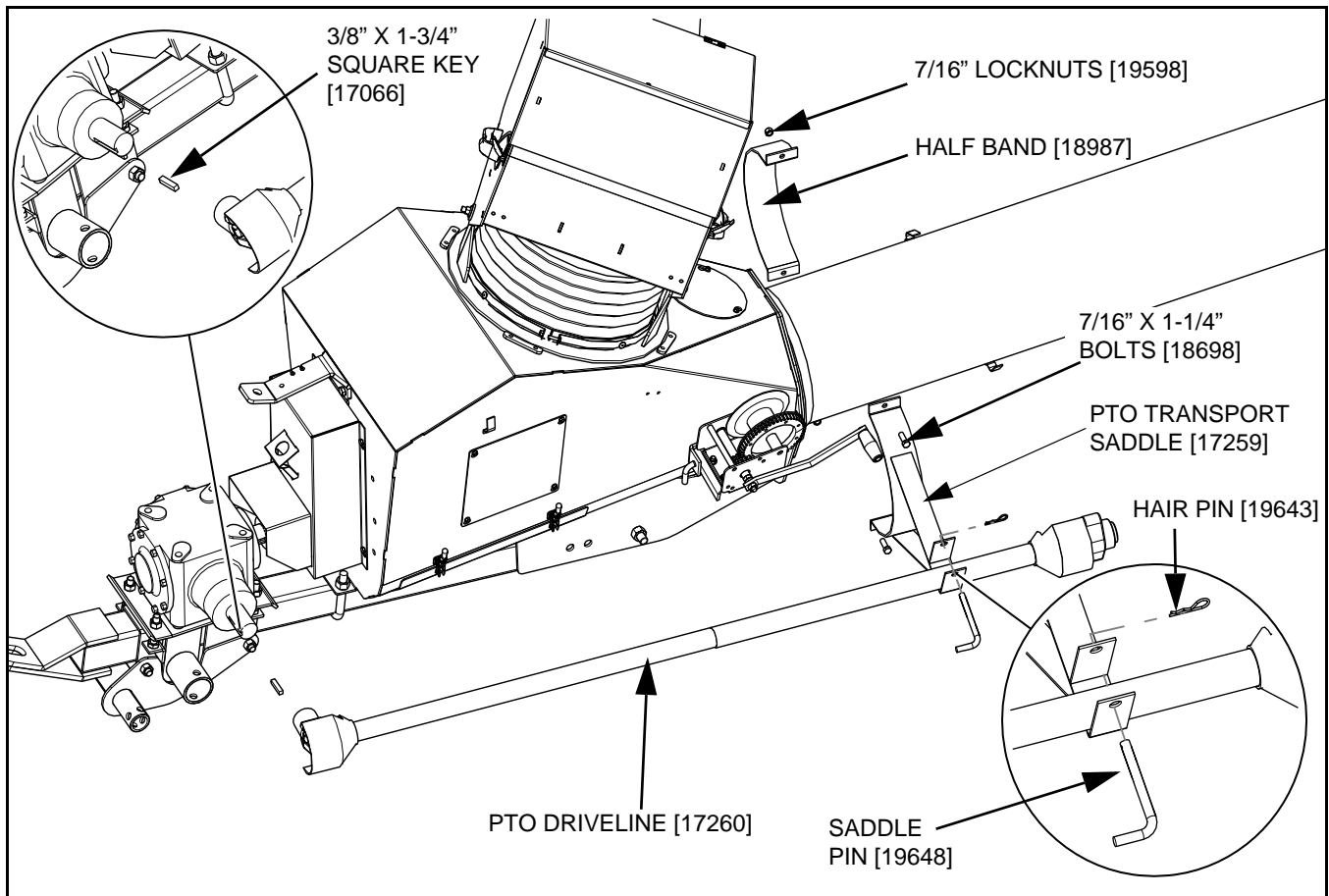
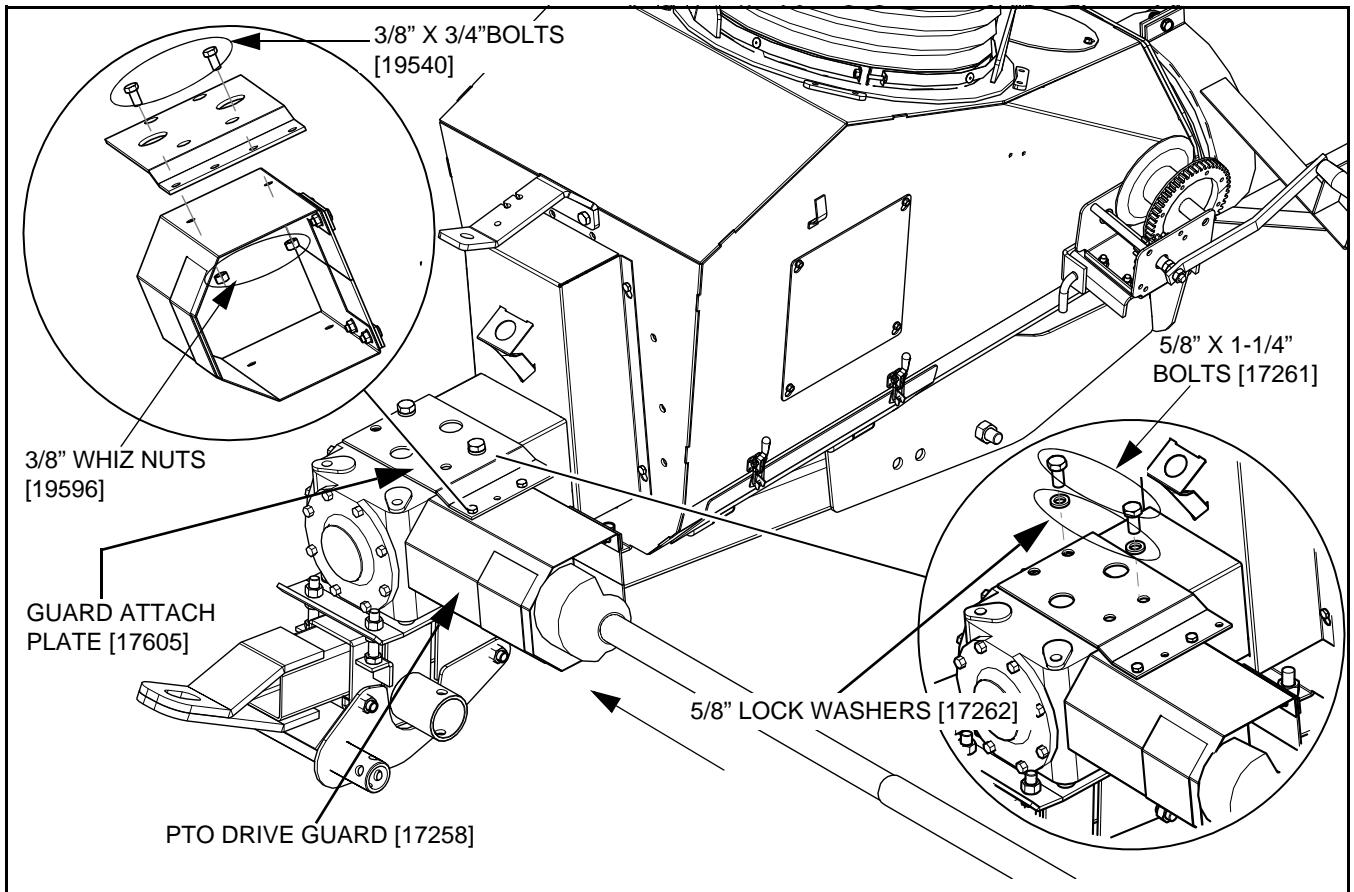


Figure 6 Installing the PTO Driveline



**Figure 7 Installing the PTO Drive Guard and Guard Attach Plate**