



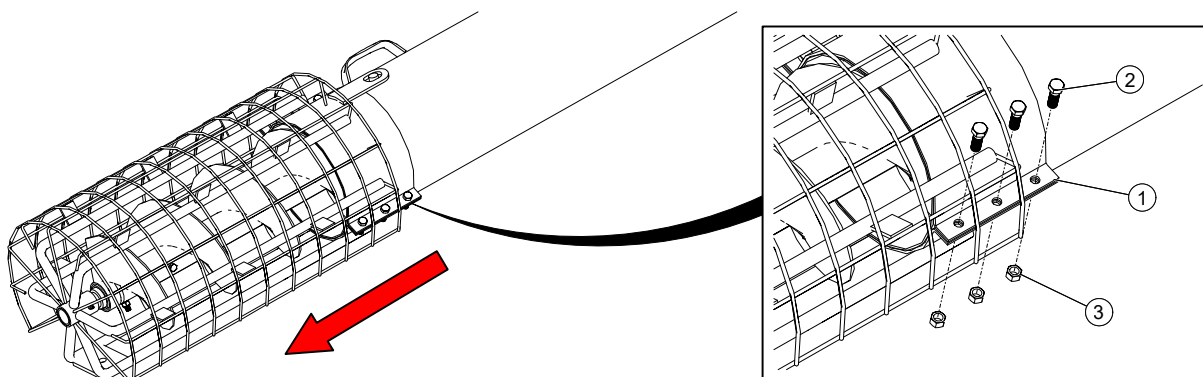
# A442 3ft Extension Kit Portable Grain Auger Installation Instructions

## Applicable Models:

- Westfield WRX, STX2
- AGI WRX, XTA
- Hutchinson WRX, STX2
- Mayrath WRX, STX2

## Installing the 3ft Extension

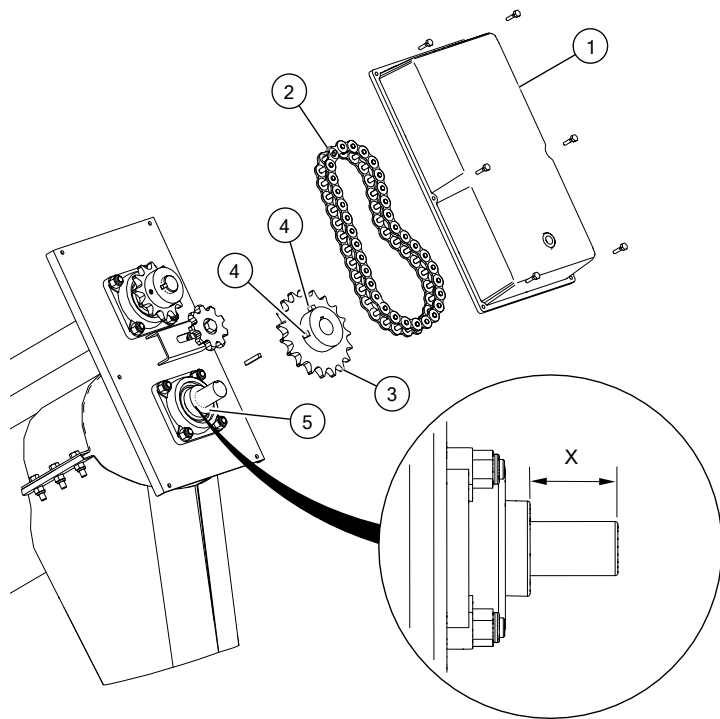
1. Remove the intake cage.



1	Intake Cage	3	Lock Nut, 7/16"
2	Bolt, 7/16" x 1-1/4"		

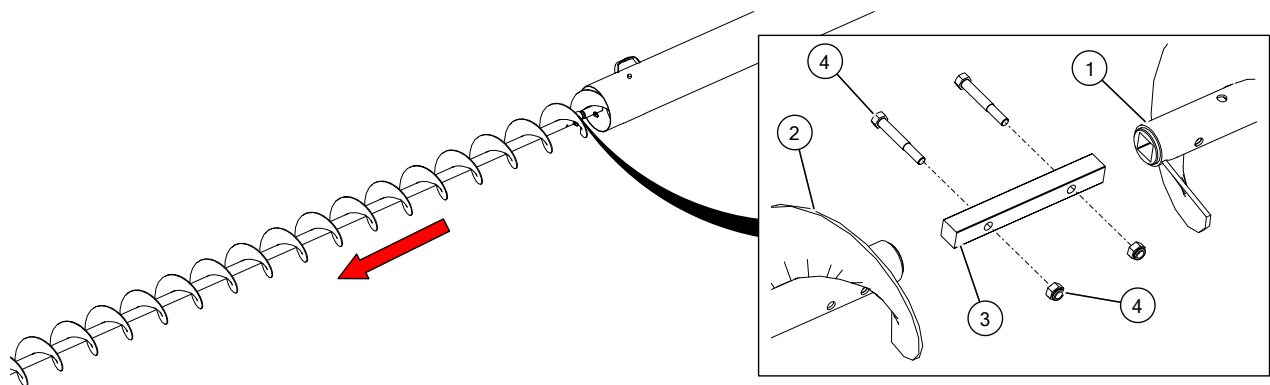
2. Remove the head covering, and proceed to:

- a. loosen the chain,
- b. remove the chain and sprocket,
- c. measure and record how far the upper stub is sticking past the bearing face (this measurement is needed during reassembly),
- d. loosen the setscrews and remove the lock collar from the bottom bearing,
- e. ensure there are no burrs on the flighting shaft, so the flight can be removed easily.



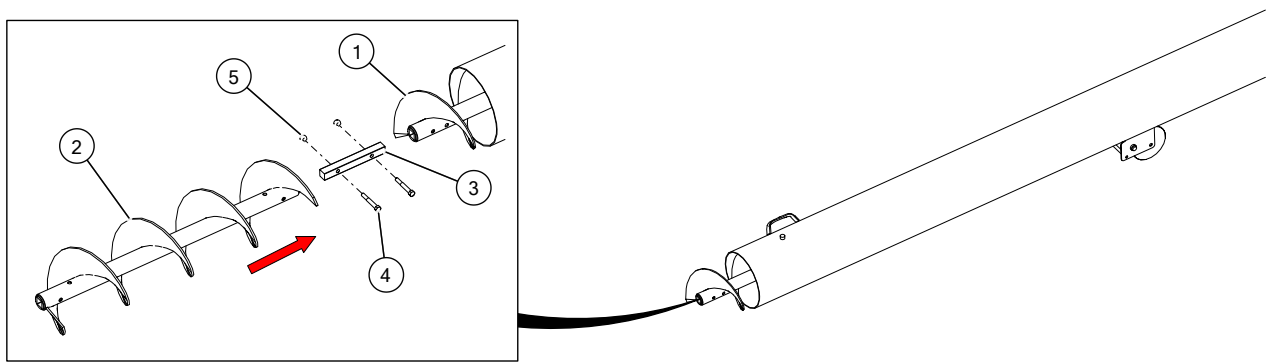
1	Head Cover
2	Chain
3	Sprocket
4	Setscrews
5	Lock Collar

3. Slide out the lower flight until you reach the connection to the upper flight. Disassemble.



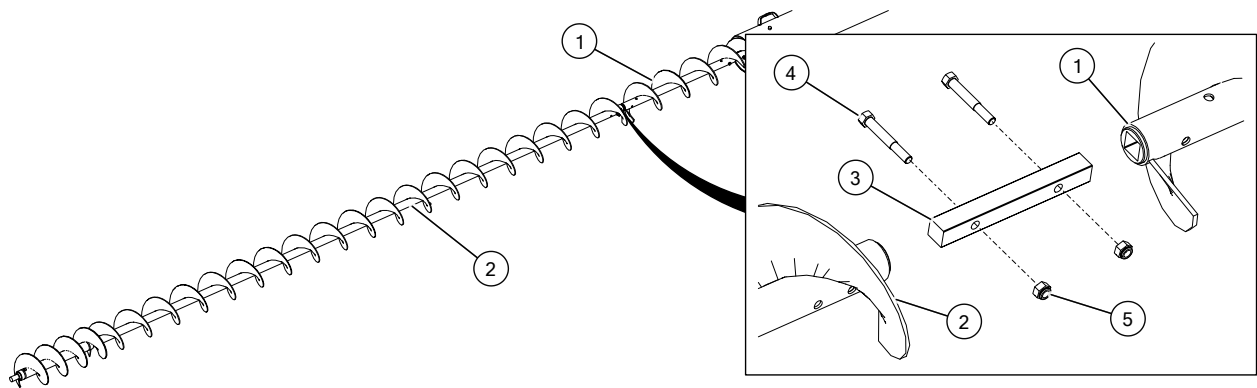
1	3ft Extension Flight	4	Bolt, 7/16" x 3"
2	Lower Flight	5	Lock Nut, 7/16"
3	Flight Connector Shaft		

4. Attach the 3ft extension flight to the upper flight.



1	Upper Flight	4	Bolt, 7/16" x 3"
2	3ft Extension Flight	5	Lock Nut, 7/16"
3	Flight Connector Shaft		

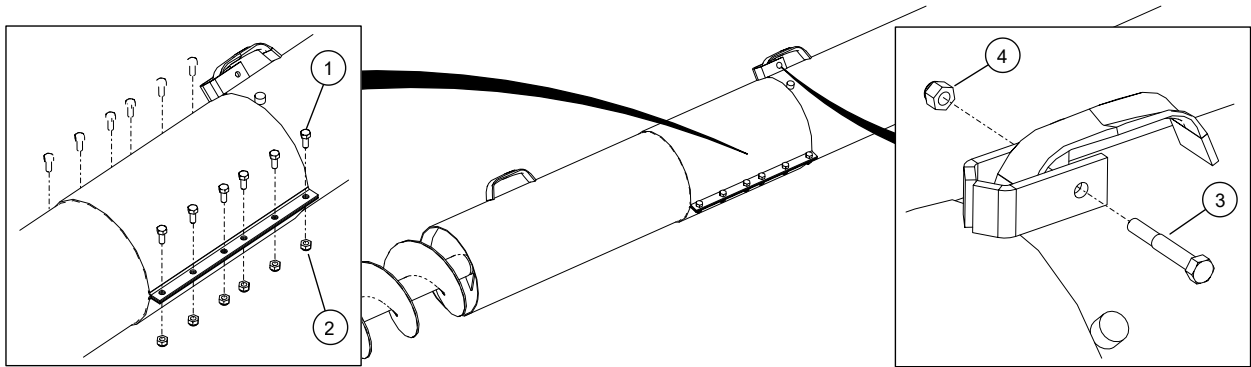
5. Attach the lower flight to the 3ft extension flight.



1	3ft Extension Flight	4	Bolt, 7/16" x 3"
2	Lower Flight	5	Lock Nut, 7/16"
3	Flight Connector Shaft		

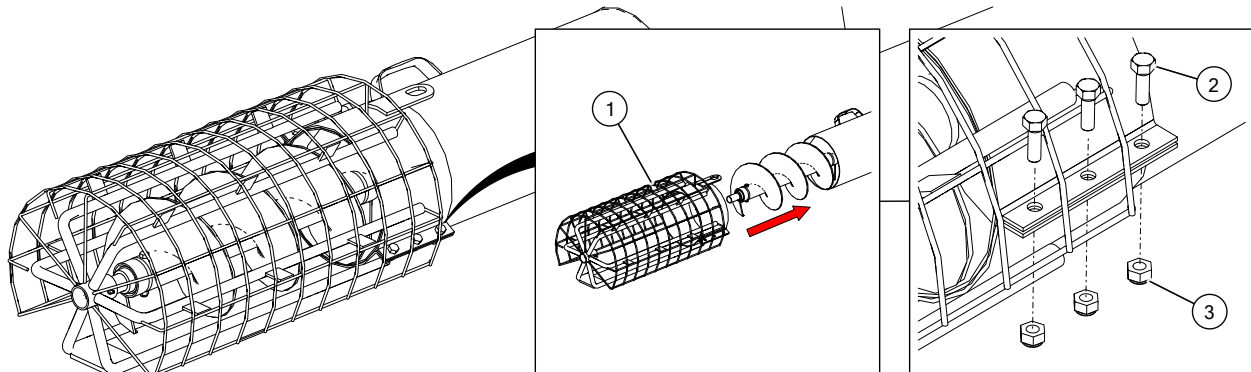
6. Reinstall the flight in the auger tube (refer to step 2 to view proper order of the components).
- When sliding the flight back up the tube, place the end of the upper stub shaft at the same distance past the bearing face (as measured in Step 2c).
  - Tighten the bearing collar (against the direction of the flight rotation), and tighten the setscrews.
  - Replace the chain and adjust the idler sprocket.
  - Replace the head cover.

7. Attach the 3ft tube to the bottom of the lower tube with 12 bolts and lock nuts. Secure the bracket to the tube handle with the bolt and lock nut.



1	Bolt, 7/16" x 1"	3	Bolt, 3/8" x 2-1/2"
2	Lock Nut, 7/16"	4	Lock Nut, 3/8"

8. Attach the intake cage to the 3ft extension.



1	Intake Cage	3	Lock Nut, 7/16"
2	Bolt, 7/16" x 1-1/4"		

AGI is a leading provider of equipment solutions for agriculture bulk commodities including seed, fertilizer, grain, and feed systems with a growing platform in providing equipment and solutions for food processing facilities. AGI has manufacturing facilities in Canada, the United States, the United Kingdom, Brazil, South Africa, India and Italy and distributes its products globally.



P.O. Box 39, Rosenort, Manitoba, R0G 1W0 Canada  
 P 866.467.7207 (Canada & USA) or 204.746.2396 | F 866.768.4852 | E sales@grinaugers.com

AGGROWTH.COM aggrowthintl   
 ©Ag Growth International Inc. 2022 | Printed in Canada