



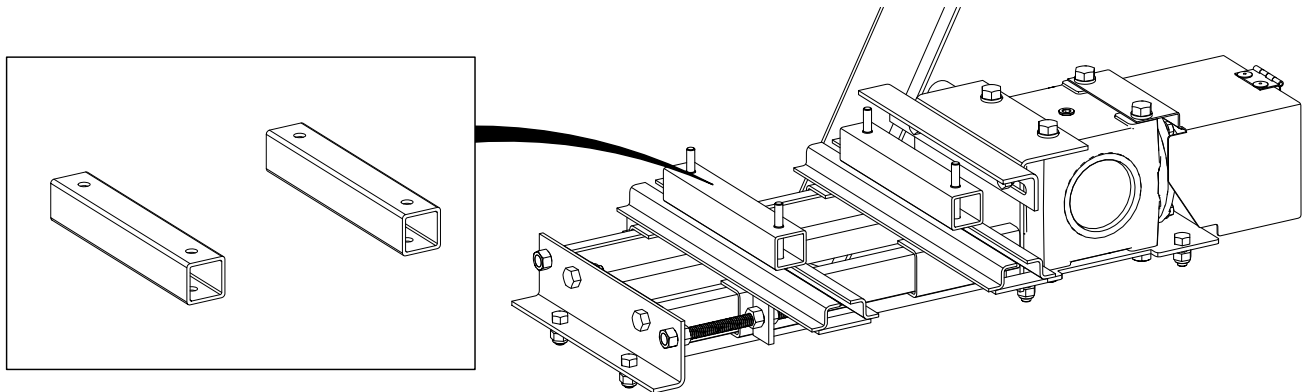
A476

U.S. Motors Shim Kit

Portable Grain Auger Installation Instructions

Applicable Models:

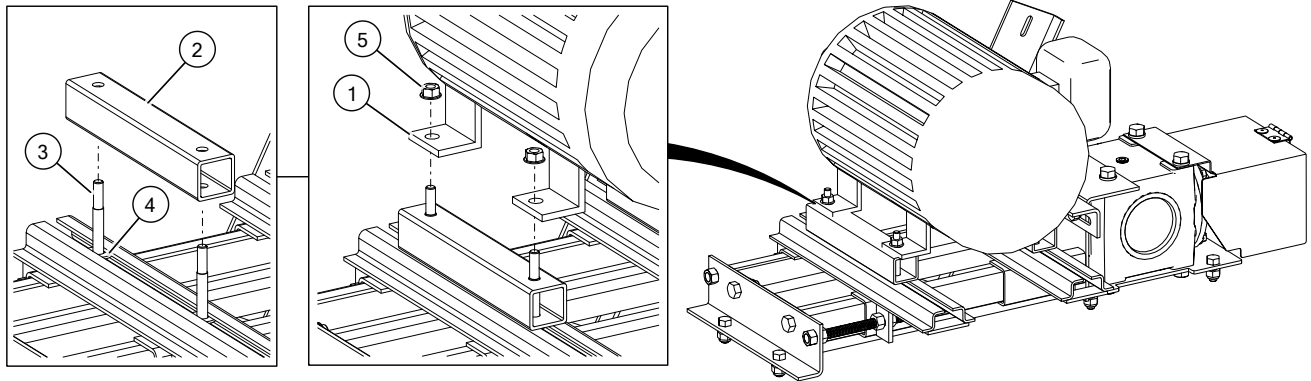
WRX Series



Pre-Installation Notes

The following instructions are for installing the kit during the assembly of a new auger. To install the kit on a used auger, some disassembly will be required. Left hand or right hand is determined by standing at intake end and facing the discharge end. The EMD Mount Assembly must be installed prior to attaching the shims and motor.

Installing the Shim Kit and Motor



1	10HP Electric Motor (U.S. Motors®)	4	Washer, 3/8"
2	Shim	5	Whiznut, 3/8"
3	Bolt, 3/8" x 2-3/4"		

Once motor is installed, continue with EMD assembly instructions from WRX Assembly manual.



P.O. Box 39
 Rosenort, Manitoba, R0G 1W0 Canada
 Phone: (866) 467-7207 (Canada & USA) or (204) 746-2396
 Fax: (866) 768-4852

Website: www.grainaugers.com
 Email: sales@grainaugers.com
 ©Ag Growth International Inc. 2020, Printed in Canada