



# A456

## Steel Caster Wheel Kit

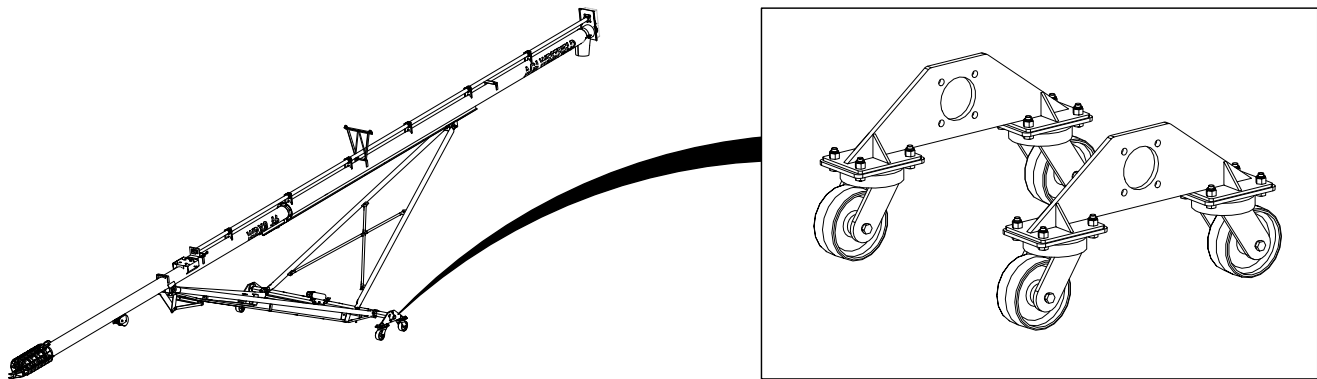
### Portable Grain Auger Installation Instructions

Applicable Models:

Westfield, AGI, Hutchinson, Mayrath

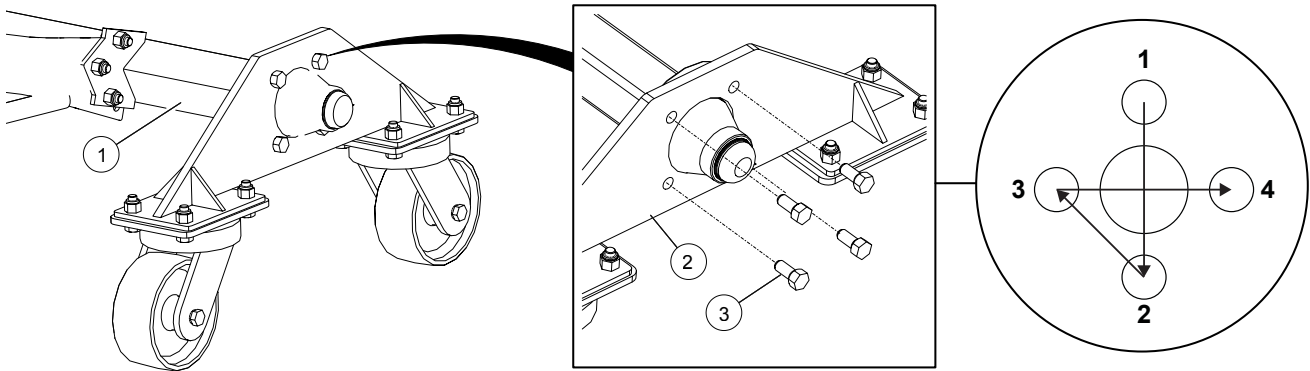
WRX 8-31, 8-36, 8-41, 8-46, 8-51, 8-56, 8-61, 8-71, 8-76

WRX 10-31, 10-36, 10-41, 10-51, 10-61, 10-71



The caster kit attaches to the existing wheel hubs provided with the auger. The caster kit was designed to fit 4-bolt hubs.

### Installing the Caster Wheel Assembly



**Assembly Note:**

- Torque the wheel bolts to 80 ft·lb ± 10 ft·lb (108.5 N·m ± 13.5 N·m) using the pattern shown.

1	Axle Assembly	3	Wheel Bolt, 1/2" x 1"
2	Caster Wheel Assembly		

1. Locate one of the caster wheel assemblies from the kit.
2. Raise the axle on one side of the auger high enough to allow the tire to clear the ground. Properly support the axle, and remove the tire and rim from the wheel hub.

**Note**

To avoid the possibility of tip-over when raising the axle for tire removal, make sure the auger is in the fully lowered position.

3. Position the mount plate onto the existing wheel hub. Secure with wheel bolts, making sure all hardware is tight. Lower the auger to the ground. Raise and support the other side of the axle and remove the tire from the auger.
4. Repeat from step 2 for the other side of the axle.



P.O. Box 39  
 Rosenort, Manitoba, R0G 1W0 Canada  
 Phone: (866) 467-7207 (Canada & USA) or (204) 746-2396  
 Fax: (866) 768-4852

Website: [www.grainaugers.com](http://www.grainaugers.com)  
 Email: [sales@grainaugers.com](mailto:sales@grainaugers.com)

©Ag Growth International Inc. 2020, Printed in Canada