

Transfer Augers



Westfield Transfer Augers

Westfield Transfer Augers have a simple design, are balanced for easy moving and have multiple capacities to match your needs.



Westfield transfer augers are available in 8" and 10" diameters with option of gas, electric or hydraulic drive. These low profile transfers are just 10 3/4" high and are light and manoeuvrable. The hopper fits nicely under hopper bottom bins and trailers for fast and easy unloading.

Electric Drive available on 8" and 10" and features a heavy-duty motor mount with enclosed belt guard, belts and pulley*.

Electric HP requirements 8" 3HP | 10" 5HP.

Hydraulic Drive shipped complete with hydraulic control valve. 8" Single Drive hydraulic transfer requires 10GPM at 650PSI 10", Double Drive hydraulic transfer requires 10GPM at 1000PSI.

Gas Drive available on 8" and 10". Features heavy-duty engine mount with adjustable belt tension for engaging and disengaging auger while motor is running. Shipped complete with enclosed belt guard, reduction gearbox, belts and pulley*.

Motor Requirements 8" - 5.5HP | 10" - 7.5 HP

All transfers are shipped complete with undercarriage.

*Motor and motor pulley not included.



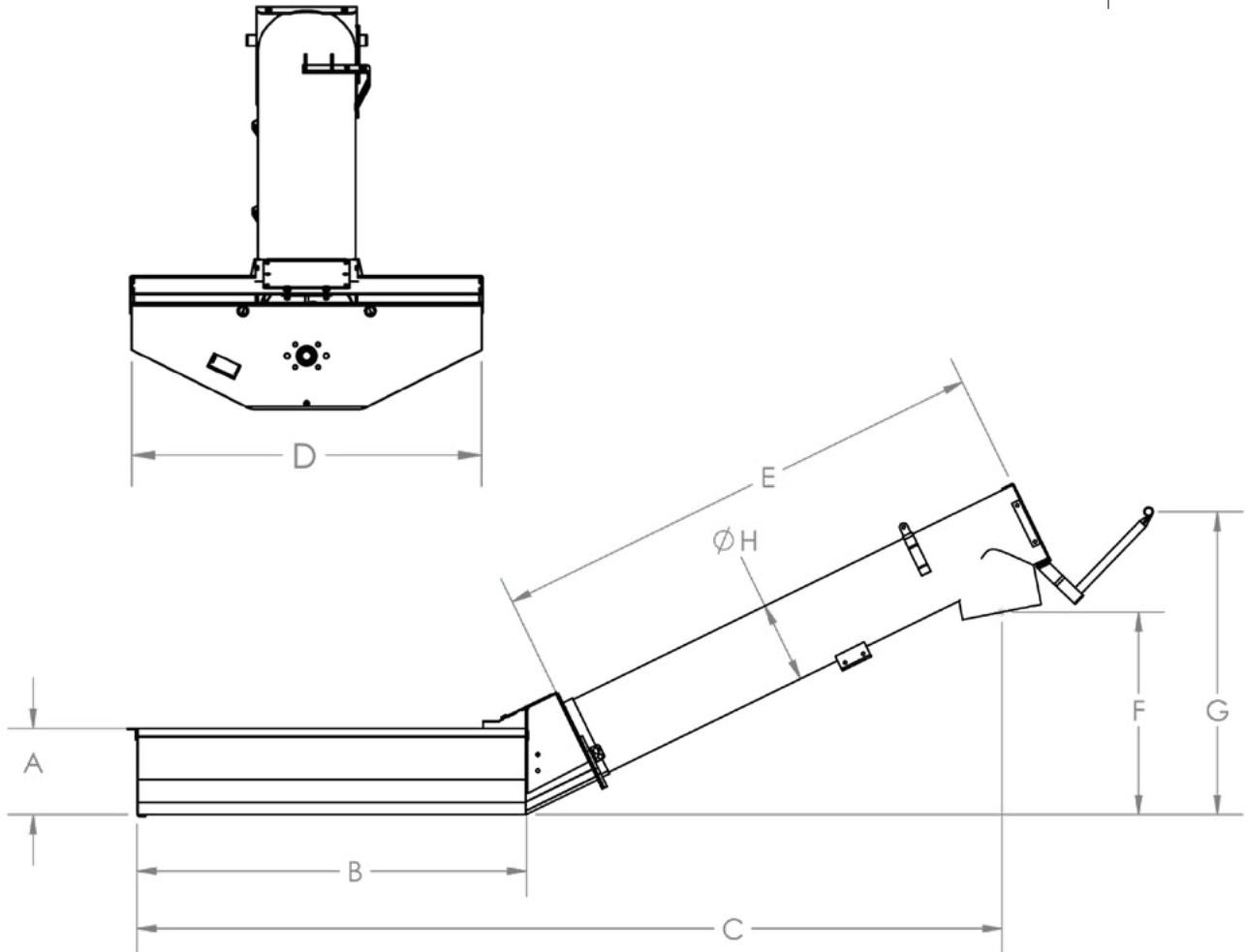
It's not an ordinary auger... It's a Westfield

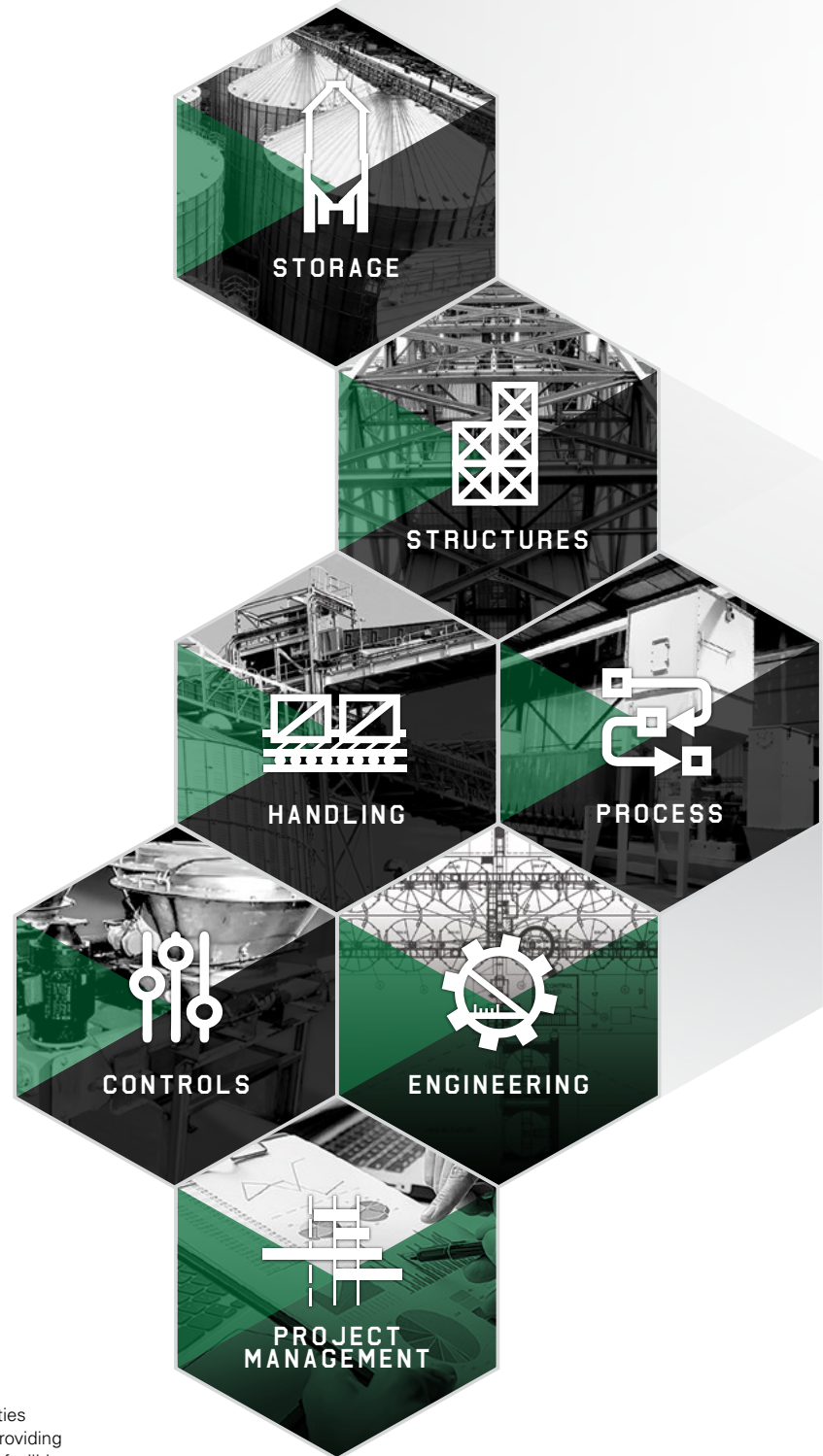
SPECIFICATIONS & FEATURES

| | HOPPER HEIGHT | HOPPER LENGTH | TOTAL LENGTH | HOPPER WIDTH | TUBE LENGTH | SPOUT HEIGHT | HANDLE HEIGHT | TUBE DIAMETER | ELEC. HP REQ. | GAS HP REQ. | HYD. REQ. |
|-------------|---------------|---------------|--------------|--------------|-------------|--------------|---------------|---------------|---------------|-------------|----------------|
| | A | B | C | D | E | F | G | H | | | |
| 8" VERSION | 10 ¾" | 48" | 105" | 35 ¾" | 60" | 25 ⅝" | 36 ⅝" | 8" | 3HP | 5.5HP | 10GPM, 650PSI |
| 10" VERSION | 10 ¾" | 48" | 105" | 35 ¾" | 60" | 25" | 37 ½" | 10" | 5HP | 7.5HP | 10GPM, 1000PSI |

| | 8" ELEC. | 8" HYD. | 8" GAS | 10" ELEC. | 10" HYD. | 10" GAS |
|-------------------|----------|---------|--------|-----------|----------|---------|
| WEIGHT WITH DRIVE | 365lb | 237lb | 335lb | 410lb | 285lb | 395lb |
| WEIGHT, NO DRIVE | 275lb | ***** | 300lb | 310lb | ***** | 320lb |

| | HANDLE FORCE TO BALANCE |
|-----------|-------------------------|
| 8" ELEC. | 40lb |
| 8" HYD. | 16lb |
| 8" GAS | 26lb |
| 10" ELEC. | 45lb |
| 10" HYD. | 32lb |
| 10" GAS | 30lb |





WESTFIELD is an AGI Brand.

AGI is a leading provider of equipment solutions for agriculture bulk commodities including seed, fertilizer, grain, and feed systems with a growing platform in providing equipment and solutions for food processing facilities. AGI has manufacturing facilities in Canada, the United States, the United Kingdom, Brazil, South Africa and Italy and distributes its products globally.

AGI **WESTFIELD**

Box 39, 74 Main Street, Rosenort, Manitoba, Canada R0G 1W0
 1.866.467.7207 | grainaugers.com

AGGROWTH.COM      @aggrowthintl