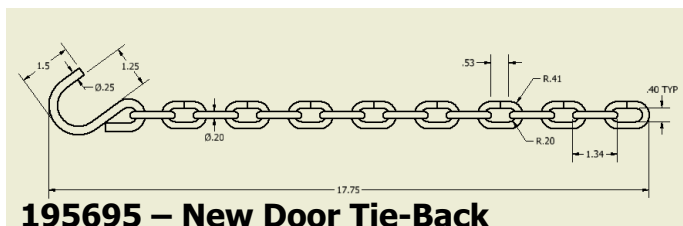


ENGINEERING CHANGE NOTICE – PRODUCT BULLETIN

DATE	Nov 1, 2017
BRAND	Westeel
PRODUCT	Various
MODEL	Stiffened and Unstiffened Bins, Flat Bottom and Hopper Models

Through continuous focus on innovation and conversations with our loyal dealers and sales networks, Westeel has implemented the following changes to better the experience for our customers. The following changes are set to be implemented November 1st and will be contained in all bin boxes marked with the 2018 label.

Door Tie-Back Redesign for 2018



Replaced the old door tie-back p/n 236801 with the new tie-back p/n 195695 for 2018.

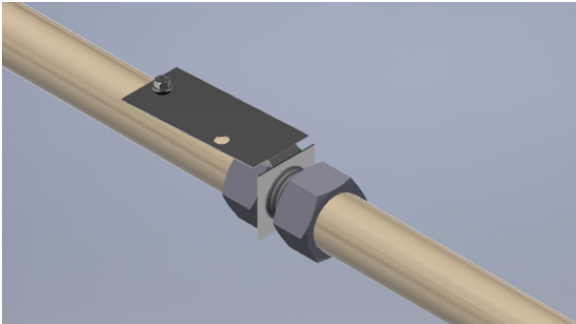
The new door tie-back adds more flexibility to securing the bin door. Any chain link can be secured to the bin using an existing or field-drilled wall sheet or stiffener hole. This new tie-back uses a hook to attach to the door handle's lockable ring.

RCO Winch 30'-54' Diameter Bins for 2018



Addition of a manual winch to help easily open the 52" diameter remote cap lid. This applies to 30'-54' diameter bins. An additional change for all bins 15'-54' in diameter is the addition of a push nut to help prevent springs from coming loose.

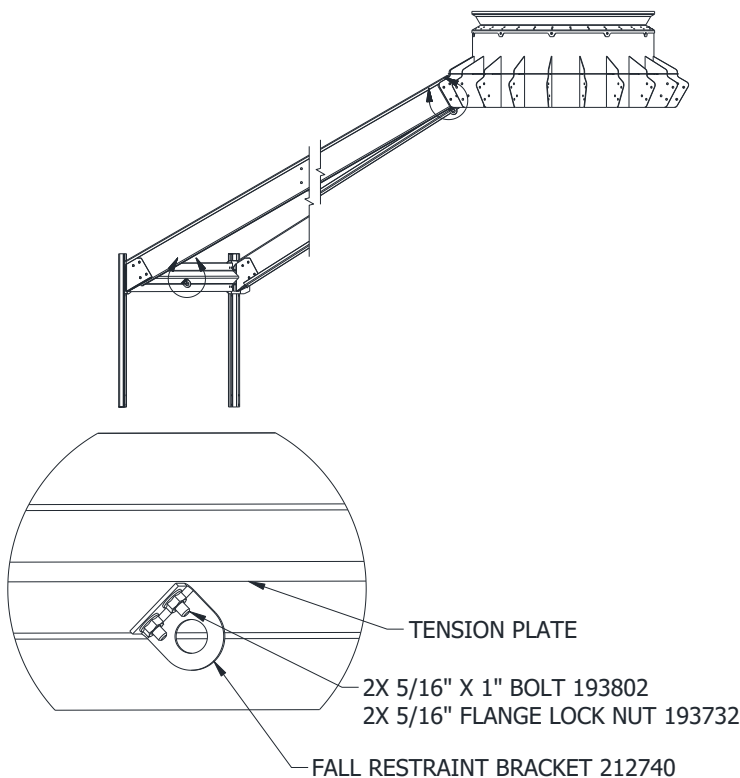
Roof Ring Expander Retaining Clip for 2018



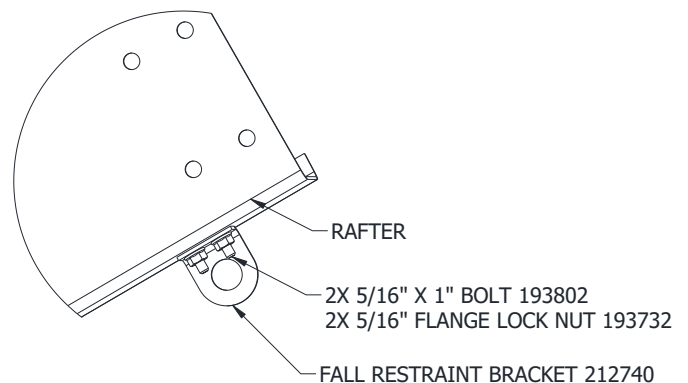
Added a retaining clip p/n 232798 for every roof ring expander. This clip bends over and attaches the expander to the roof ring using a self-drilling screw. This clip will ensure the expander is not able to come loose and fall down off the bin in the event that a roof with plugged vents pops out.

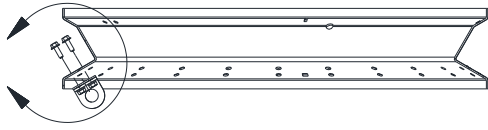
New Bin Entry Anchor System for 2018

Note: This system does not come with harness and other requirements.



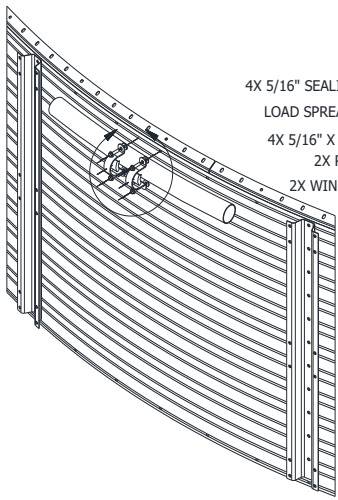
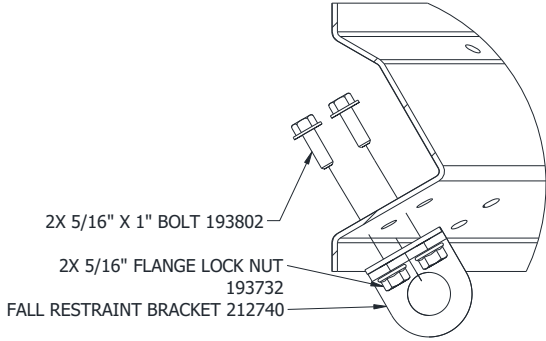
Fall Restraint Bracket – Structured Roof
The fall restraint bracket is rated for a maximum load of 2,000 lbs. The bin owner and user are responsible for correctly installing, using, and operating the Bin Entry Anchor System. The rope, pulley, and harness are not supplied by Westeel.



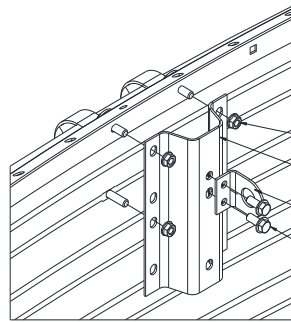
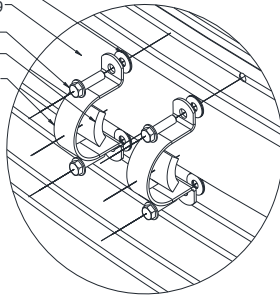


Fall Restraint Bracket – Unstructured Roof

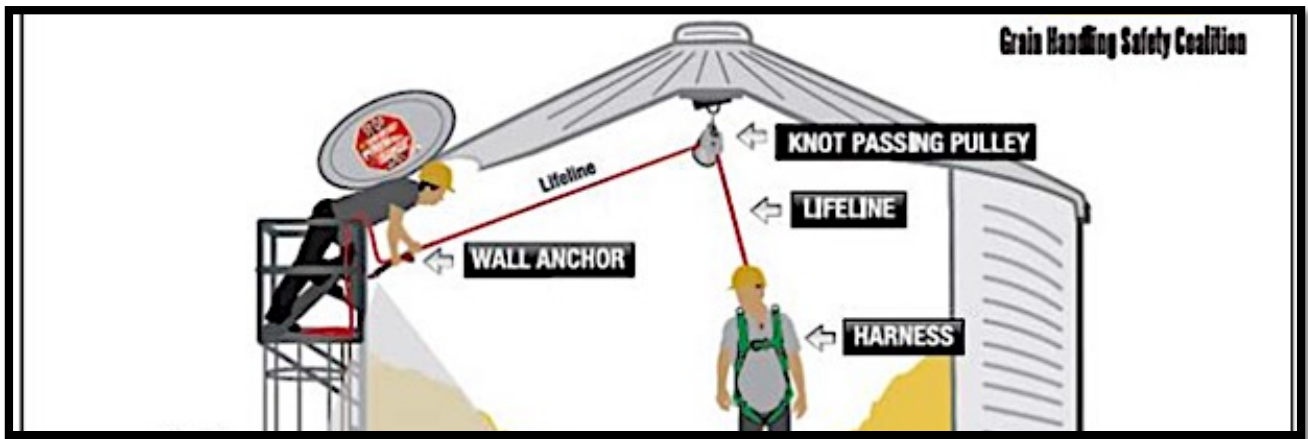
The fall restraint bracket is rated for a maximum load of 2,000 lbs. The bin owner and user are responsible for correctly installing, using, and operating the Bin Entry Anchor System. The rope, pulley, and harness are not supplied by Westeel.



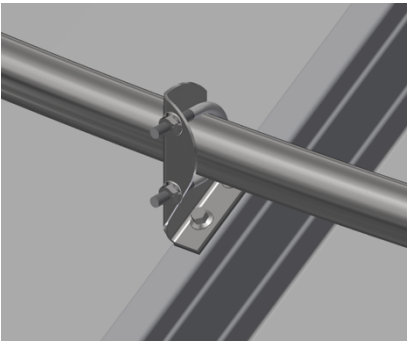
- 4X 5/16" SEALING WASHERS 193774
- LOAD SPREADER TUBE 212731-39
- 4X 5/16" X 1-1/4" BOLTS 193803
- 2X RUBBER PADS 212789
- 2X WIND RING CLIPS 232767



- 6X 5/16" FLANGE LOCK NUTS 193732
- UPRIGHT SPLICE 232720
- FALL RESTRAINT BRACKET 212740
- 2X 5/16" X 1-1/4" BOLTS 193803



New Roof Ring clip p/n 195063 – for 2018



Replaced the former roof ring clip p/n 195062 with an improved version p/n 195063. The new roof ring clip has an additional flange and 2 holes that allow a U-bolt to firmly attach the roof ring to the clip. This improved design decreases wind vibration of the roof panels.

Hardware Improvements – for 2018

Westeel has made a number of hardware improvements for 2018 to assist installers.

1. Ladder Rung & Inspection Hatch Latch – 5/16” Steel-Backed Neoprene Washers

- We have replaced the 5/16” poly sealing washers (p/n 235929) with 5/16” steel-backed neoprene sealing washers (p/n 193774)
- The steel-backed washers will hold up better when squeezed against the ladder rung slots or roof panel, and will not tear. This will do better to ensure a weather tight seal.

2. Structural Roof to Bin Wall– 3/8” Steel-Backed Neoprene Washers

- We have replaced the 3/8” poly sealing washers (p/n 154951) with 3/8” steel-backed neoprene sealing washers (p/n 193775)
- The steel-backed washers are used to install the interior stiffeners that support the roof rafters. They will hold up better than the poly washers when squeezed between the spacer nut and the inside surface of the wall sheet. This will work better to ensure a weather tight seal.

3. Bottom Angle to Tube Caulking

- 2 tubes of caulking (p/n 170445) will be included with every flat bottom bin in order to provide sealing in and around the bottom angle to wall sheet connection, if needed

4. Bottom Angle to Wall Sheet Connection – 3/8” Flanged Nuts

- The standard 3/8” hex nuts have been replaced with 3/8” flanged nuts in order to make covering the bottom angle slots easier.
- The 3/8” flat washers are still included for this location if needed.