

WESTEEL PRODUCT BULLETIN

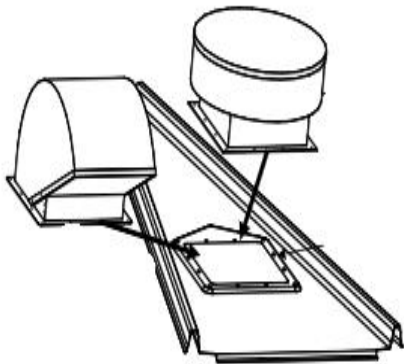
16 Foot Roof Release

November 6, 2018

Release Details:

New for 2019, Westeel has incorporated the 16 ft roofs into the current roof design using our state of the art technology.

- The pre 2019 version of roof sheets are not interchangeable with this new design. When ordering, please advise Customer Service if this is for a new installation or for an existing installation. They will be able to provide the correct sheets for your project.
- As with our current roof design, we now offer pre-punched vent cut outs up to 4 per roof sheet bundle.
- A new top angle bundle has been designed to match this new roof sheet design.
- Models of bins affected include 1605 and 1606 Unstiffened Bin For Hopper as well as our Seed Store combo packages.



2019 16' Roof Part Numbers

212016B	ROOF SHEET BUNDLE 16'
212016B1	ROOF SHEET BUNDLE 16' - 1 VENT
212016B2	ROOF SHEET BUNDLE 16' - 2 VENT
212016B3	ROOF SHEET BUNDLE 16' - 3 VENT
212016B4	ROOF SHEET BUNDLE 16' - 4 VENT
212016H	ROOF SHEET 16' C/W HATCH
212016S	ROOF SHEET 16'
212016V	ROOF SHEET 16' C/W VENT
212272	TOP ANGLE BUNDLE 16'