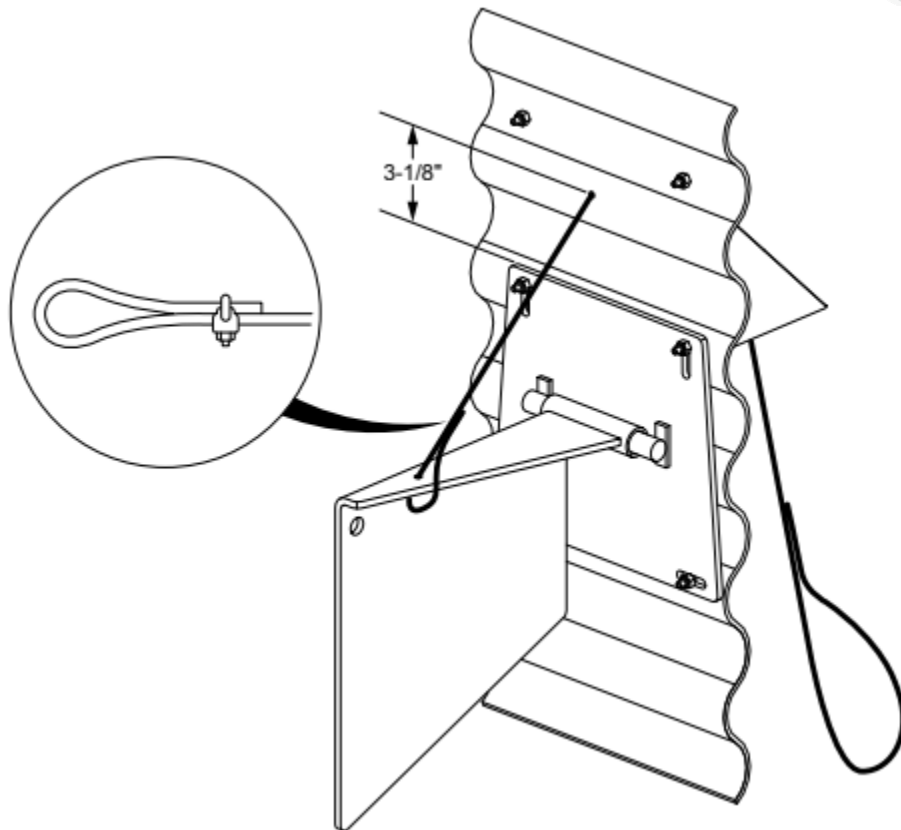


WESTEEL PRODUCT BULLETIN

EasyFlow2 Sweep Stop Kit

July 30, 2019

As our product line grows, standardization and safety are a crucial component to growth. We are pleased to announce the new **Sweep Stop Kit**, which comes as a standard part with all U-through EasyFlow2 Unloads. The complete sweep stop kit is also available to retrofit existing EasyFlow2 Unloads in your Westeel bin.



Please contact Westeel customer service for more information.

- **Sweep Stop Kit P/N 200067 List price \$50.00**