

WESTEEL PRODUCT BULLETIN

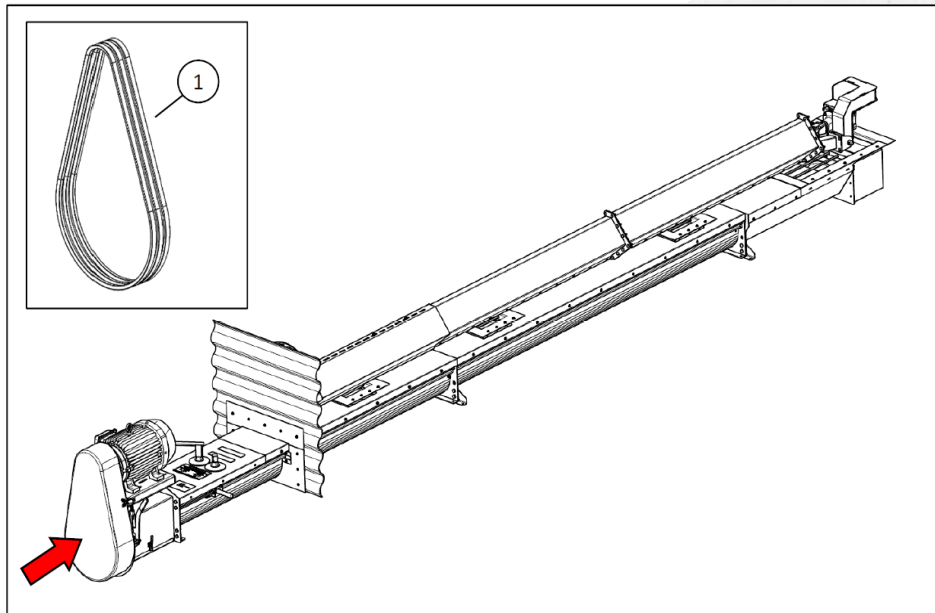
EasyFlow2 U-Trough Unload Update

November 5, 2018

Release Details

Continuous Improvement Release:

- EasyFlow2 U-trough unload drive belts have been replaced with longer belts to accommodate 7.5 to 20 HP motors.
- Drive Belt B62 has been replaced with B65 in the powerhead crate for 2019.



New Belt

Item	Part No.	Description	Qty
1	10-29967	B65 BELT	3

Existing Belt

Item	Part No.	Description	Qty
1	10-19934	B62 BELT	3