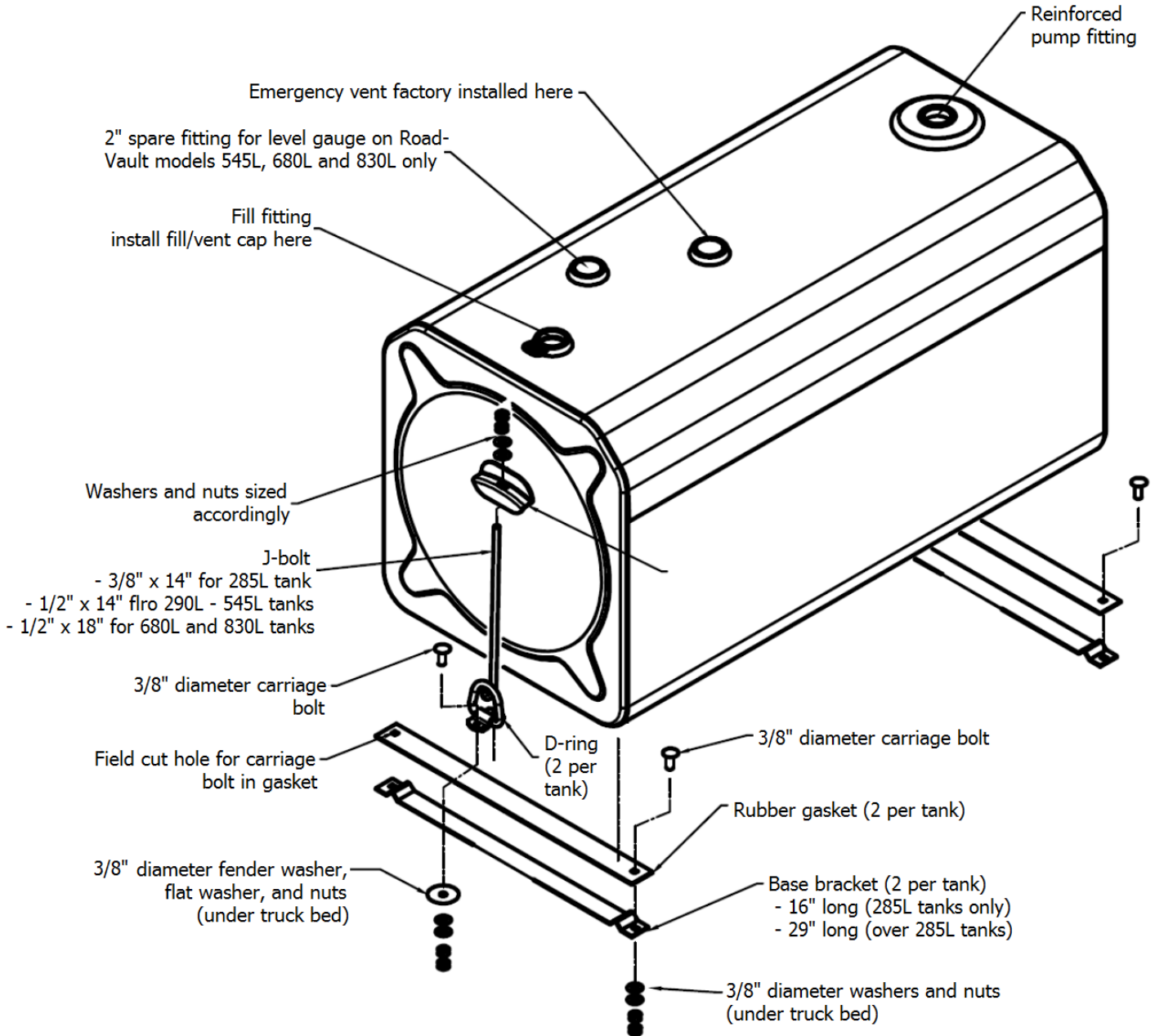


J-Bolt Tie-Down

Available for 285L, 290L, 450L, 545L, 680L, and 830L Flat Top Mobile Petroleum Tanks



Non-code tanks can still use Westeel's specified tie-down methods, but have to be purchased separately. Road-Vault models include a tie-down method in the tank kit.

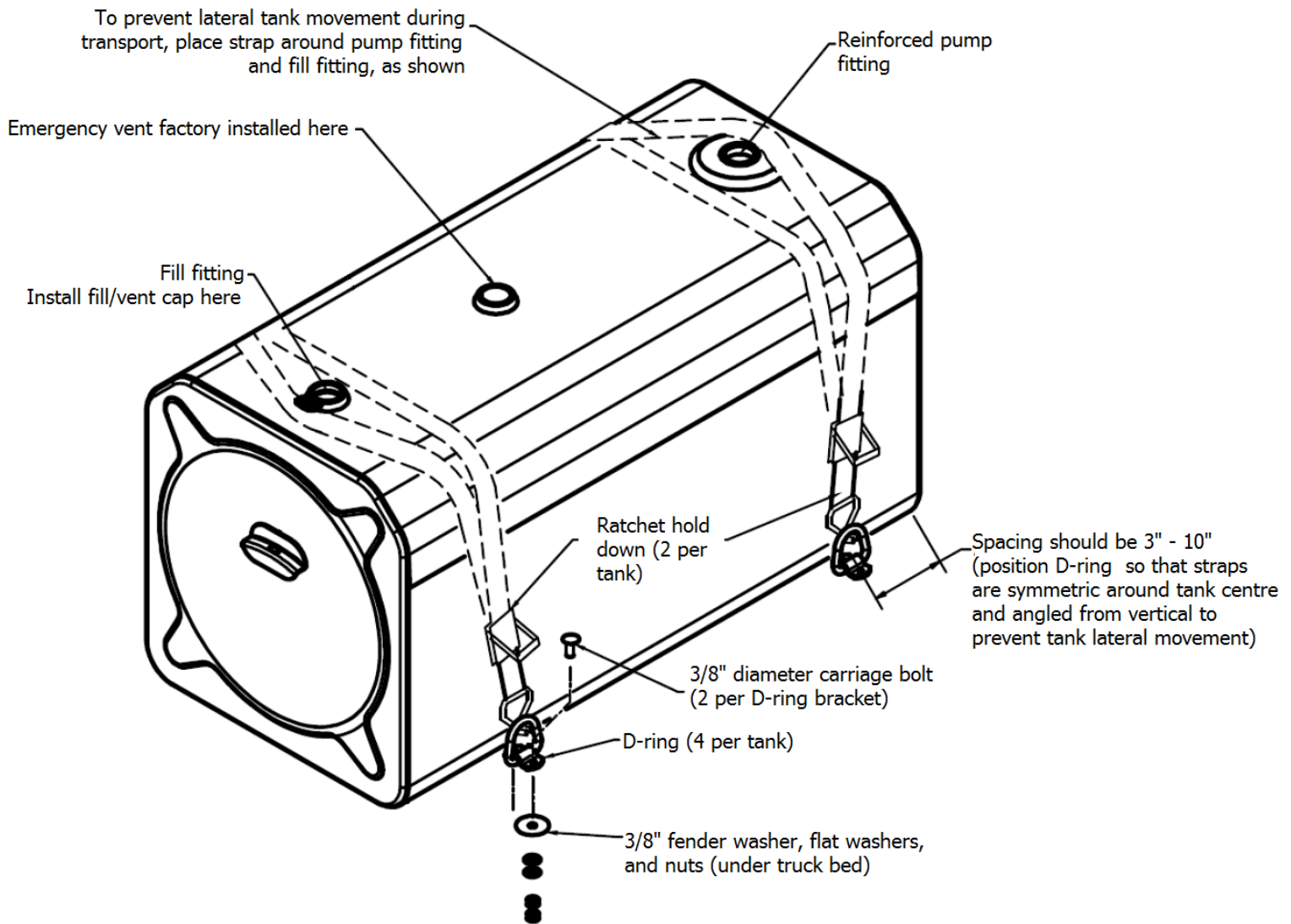
WESTEEL

Mobile Petroleum Tank Tie-Down Methods
Updated: 11/02/2015

Ratchet Strap Tie-Down

Available for 285L, 290L, and 450L Flat Top Mobile Petroleum Tanks

Note: the user can choose between the Ratchet Strap OR J-Bolt style tie-down methods when purchasing a 285L, 290L, or 450L tank.



Non-code tanks can still use Westeel's specified tie-down methods, but have to be purchased separately. Road-Vault models include a tie-down method in the tank kit.

WESTEEL

Mobile Petroleum Tank Tie-Down Methods
Updated: 11/02/2015