

# GRAVITY FLOW

## SAFETY LADDERS FOR AST

A Safety Ladder is an excellent and functional addition to your Above Ground Storage Tank (AST) Stand installation.

It is engineered to provide structural strength and durability while its rigid design with safety platform provides easy and safe access for tank filling and dipping. Easy to use and install, it offers superior design, excellent flexibility and safe access for your application. Best of all it is manufactured by Westeel to provide years of worry free service.

### IMPORTANT FEATURES

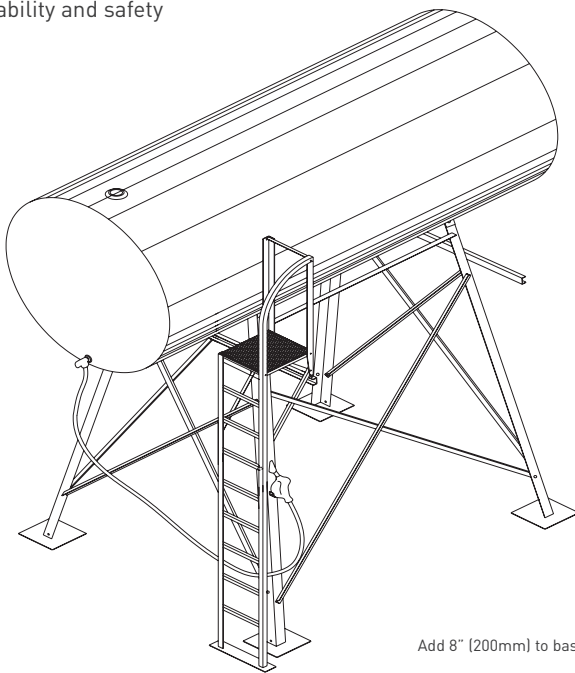
- Durable structural all steel construction
- Heavy gauge formed steel legs, rugged cross bracing, non slip platform and formed steel base pads for leg stability
- Weather resistant exterior finish
- Compact easy to ship packaging
- 4', 7' and 9' heights
- Bolts directly to the tank stand for stability and safety

### ACCORDANCE COMPLIANCE

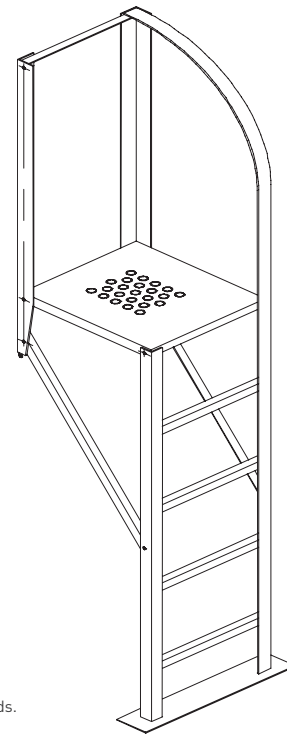
- The Gravity Flow ladders for ASTs are designed as a non-code product and should be used only in applications where Federal and Provincial Regulations allow it

### TYPICAL APPLICATIONS

- Petroleum refueling facilities – agricultural fleet and equipment
- Petroleum processing – oil and gas chemicals, enhancers, additives



Add 8" (200mm) to base dimensions for footpads.



### SPECIFICATIONS

MODEL	PART	HEIGHT		WEIGHT	
		in	mm	lb	kg
4 ft	264282	48	1219	65	26
7 ft	264291	84	2134	76	32
9 ft	264280	108	2743	82	37



STORAGE SYSTEMS FOR THE WORLD'S MOST VALUABLE RESOURCES

800-665-2099 ▪ [lcs@westeel.com](mailto:lcs@westeel.com)  
[westeel.com](http://westeel.com) ▪ [@westeel\\_1905](https://twitter.com/@westeel_1905) ▪ [f/Westeel1905](https://facebook.com/Westeel1905)

Westeel Head Office Box 792,  
 Winnipeg, MB, Canada R3C 2N5 ▪ 204-233-7133



Consistent with Westeel policy of continued research and development of our products, we reserve the right to modify or change information contained in this publication without notice. 1015-100