

# GRAVITY FLOW

## HORIZONTAL DOUBLE WALL AST

### 110% CONTAINED

The Gravity Flow Double Wall Above Ground Storage Tank (AST) is a great choice to store flammable or combustible liquids.

It is engineered to provide environmentally safe handling and storage for a variety of applications. Easy to use and install, its 110% containment storage design provides superior protection against costly and environmentally damaging leaks or ruptures while providing excellent flexibility and outstanding cost benefits for your installation. Best of all it is manufactured by Westeel to provide years of worry free service.

#### IMPORTANT FEATURES

- Durable all steel construction in a horizontal design
- Heavy gauge tank shell
- All exterior surfaces prepared with a chemical wash and finished with a rugged and durable weather-resistant powder coat aluminum
- Heavy duty lifting lug(s) supplied for easy installation and tank placement

#### OPTIONAL EQUIPMENT

- Overhead stands in 4', 7' or 9' heights
- Safety ladder and platform
- Low profile cradles for near ground applications
- Fluid transfer and metering equipment
- Locking angle valves, locking vent caps, nozzles, bulk hose and hose assemblies

#### ACCORDANCE COMPLIANCE

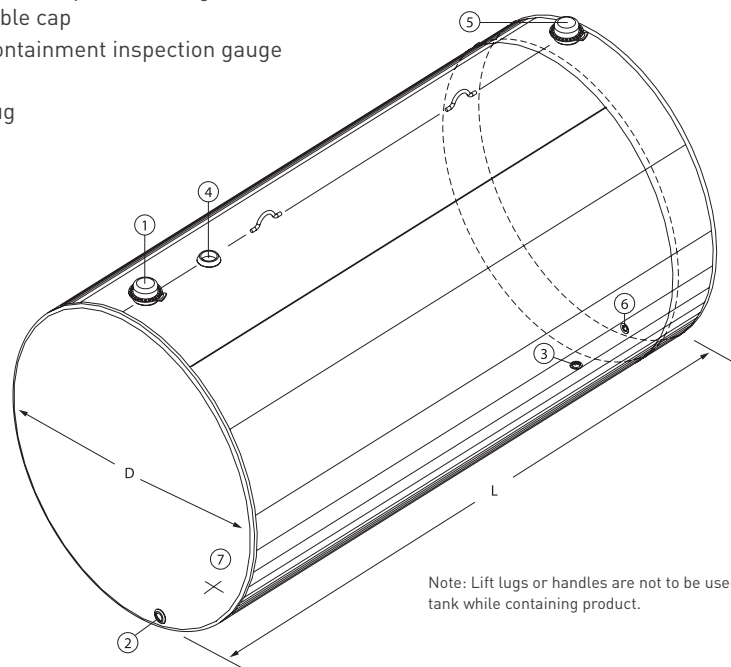
- Alberta Energy Regulator Directive 55 Compliant

#### TYPICAL APPLICATIONS

- Petroleum refueling facilities – agricultural fleet and equipment
- Petroleum processing – oil and gas chemicals, enhancers, additives

#### STANDARD FEATURES

01. 2½" NPT fill/vent (lockable vent cap sold separately)
02. 1½" NPT supply fitting
03. 1" NPT drain fitting
04. 2" NPT spare fitting
05. 2½" NPT vent/inspection fitting comes with lockable cap
06. ½" NPT containment inspection gauge fitting
07. Ground Lug



Note: Lift lugs or handles are not to be used to move tank while containing product.

#### SPECIFICATIONS

MODEL NUMBER	PART	CAPACITY		DIAMETER D		LENGTH L		WEIGHT	
		Imp gal	L	in	mm	in	mm	lb	kg
GFDW1300	264390-SC	300	1364	38	965	81	2057	575	261
GFDW2200	264391-SC	500	2273	50	1270	81	2057	885	400
GFDW4500	264392-SC	1000	4546	50	1270	160	4064	1541	699



STORAGE SYSTEMS FOR THE WORLD'S MOST VALUABLE RESOURCES

800-665-2099 ▪ [lcs@westeel.com](mailto:lcs@westeel.com)  
[westeel.com](http://westeel.com) ▪ [@westeel\\_1905](https://twitter.com/@westeel_1905) ▪ [f/Westeel1905](https://www.facebook.com/Westeel1905)

Westeel Head Office Box 792,  
 Winnipeg, MB, Canada R3C 2N5 ▪ 204-233-7133



Consistent with Westeel policy of continued research and development of our products, we reserve the right to modify or change information contained in this publication without notice. 1015-100