

FUEL OIL

SINGLE WALL AST

ULC S602

The Fuel Oil Single Wall Above Ground Storage Tank (AST) has been the essential work horse for decades coast-to-coast.

It is engineered to provide an affordable option for combustible liquids for heating/generator fuels or lubricant oil storage. Easy to use and install, its single wall storage system provides outstanding quality, versatility and value for your installation. Best of all it is manufactured by Westeel to provide years of worry free service.

IMPORTANT FEATURES

- Durable all steel construction in a vertical oval design
- Heavy gauge tank shell with die formed ends
- All exterior surfaces prepared with a chemical wash and finished with a rugged and durable weather-resistant powder coat aluminum
- Heavy duty lifting lug(s) and end handles for easy installation and tank placement
- Leg support bracket size is 1½" NPT (quantity of 4)

OPTIONAL EQUIPMENT

- Support legs
- Locking vent caps, vent whistles and easy to read gauges

ACCORDANCE COMPLIANCE

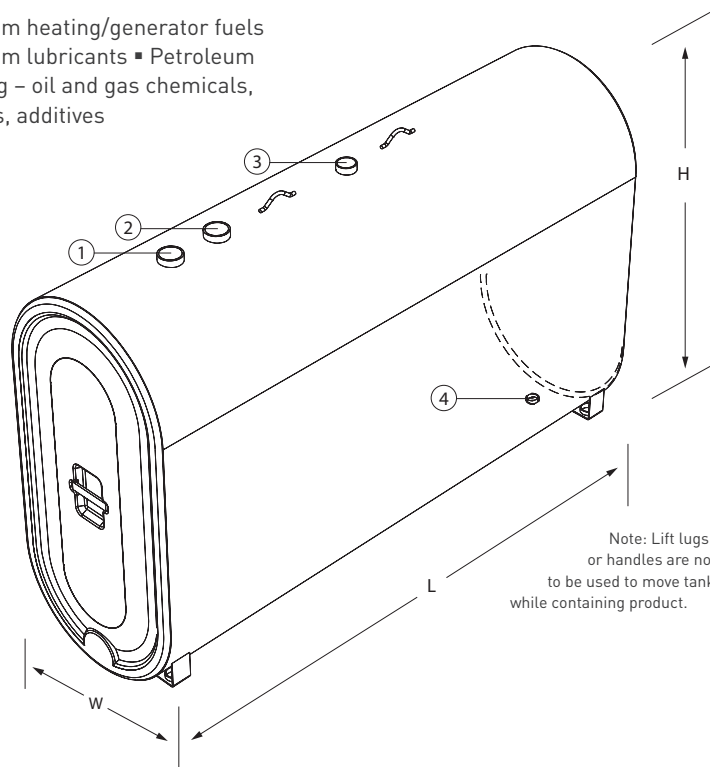
- CAN/ULC-S602-M2002
- National Fire Code Compliant

TYPICAL APPLICATIONS

- Petroleum heating/generator fuels
- Petroleum lubricants
- Petroleum processing – oil and gas chemicals, enhancers, additives

STANDARD FEATURES

01. 2" NPT fill fitting
02. 2" NPT vent fitting
03. 1½" NPT gauge fitting
04. 1" NPT supply fitting



SPECIFICATIONS

MODEL	PART	CAPACITY		WIDTH W		LENGTH L		HEIGHT H		WEIGHT	
		Imp gal	L	in	mm	in	mm	in	mm	lb	kg
FOSW280	264005	62	283	23	585	18	457	47	1185	122	55
FOSW465	264008	102	465	23	585	30	750	47	1185	152	69
FOSW755	264014	152	756	23	585	48	1219	47	1185	199	90
FOSW935	264015	206	936	23	585	60	1511	47	1185	290	132
FOSW1135	264016	249	1135	23	585	72	1829	47	1185	333	151



STORAGE SYSTEMS FOR THE WORLD'S MOST VALUABLE RESOURCES

800-665-2099 ▪ lcs@westeel.com

westeel.com @westeel_1905 f/Westeel1905

Westeel Head Office Box 792,
Winnipeg, MB, Canada R3C 2N5 ▪ 204-233-7133



Consistent with Westeel policy of continued research and development of our products, we reserve the right to modify or change information contained in this publication without notice. 1015-100