

FUEL OIL

DOUBLE WALL AST

ULC S602

The Fuel Oil Double Wall Above Ground Storage Tank (AST) is about peace-of-mind for your installation with its 110% secondary containment design.

It is engineered to provide environmentally safe handling for heating/generator fuels or lubricant oil storage. Easy to use and install, its double wall storage system provides superior long term protection and peace-of-mind for your investment. Best of all it is manufactured by Westeel to provide years of worry free service.

IMPORTANT FEATURES

- Durable all steel construction in a vertical oval design
- Heavy gauge tank shell and die formed ends
- All exterior surfaces prepared with a chemical wash and finished with a rugged and durable weather-resistant white powder coat
- Heavy duty lifting lug(s) and end handles for easy installation and tank placement
- Leg support bracket size is 1¼" NPT (quantity of 4)

OPTIONAL EQUIPMENT

- Support legs
- Locking vent caps, vent whistles and easy to read gauges
- Leak gauge

ACCORDANCE COMPLIANCE

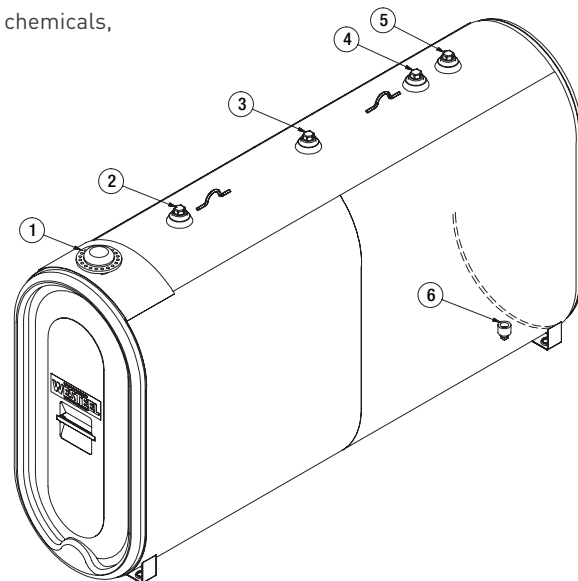
- CAN/ULC-S602-M2002
- Environmental Farm Plan Compliant
- National Fire Code Compliant
- Alberta Energy Regulator Directive 55 Compliant
- CSA B139

TYPICAL APPLICATIONS

- Petroleum heating/generator fuels
- Petroleum lubricants
- Petroleum processing – oil and gas chemicals, enhancers, additives

STANDARD FEATURES

01. 2" emergency vent inspection with lockable vent cap
02. 2" NPT spare fitting for pump, etc.
03. 2" NPT gauge fitting
04. 2" NPT spare or vent fitting
05. 2" NPT fill fitting
06. 1" NPT outlet or drain fitting



Note: Lift lugs or handles are not to be used to move tank while containing product.

SPECIFICATIONS

MODEL	PART	CAPACITY		WIDTH W		LENGTH L		HEIGHT H		WEIGHT	
		Imp gal	L	in	mm	in	mm	in	mm	lb	kg
FOSC280	264005-SC	62	283	23	585	24	610	47	1185	247	112
FOSC465	264008-SC	102	465	23	585	36	915	47	1185	319	145
FOSC690	264014-SC	152	693	23	585	48	1219	47	1185	368	167
FOSC935	264015-SC	206	936	23	585	68	1720	47	1185	478	217
FOSC1135	264016-SC	249	1135	23	585	82	2080	47	1185	558	253



STORAGE SYSTEMS FOR THE WORLD'S MOST VALUABLE RESOURCES

800-665-2099 ▪ lcs@westeel.com
westeel.com [@westeel_1905](https://twitter.com/westeel_1905) [f/Westeel1905](https://facebook.com/Westeel1905)

Westeel Head Office Box 792,
 Winnipeg, MB, Canada R3C 2N5 ▪ 204-233-7133

Consistent with Westeel policy of continued research and development of our products, we reserve the right to modify or change information contained in this publication without notice. 1015-100

