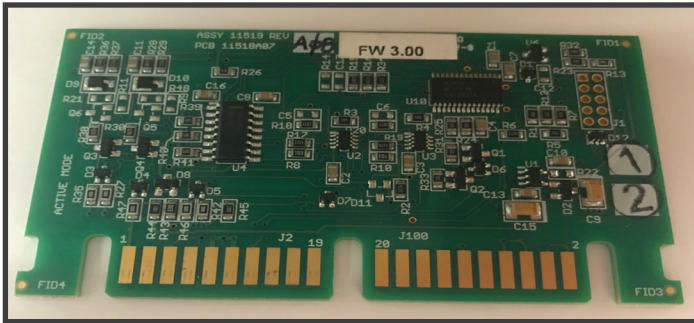


AdaptaNet

AUTOMATIC BUS NETWORK FAULT DETECTION AND ISOLATION



- Automatic bus network fault detection and isolation system
- Immediately identifies and isolates faulty sensors without network disruption
- Drop-in replacement for existing Field Interconnect Box backplanes
- Troubleshooting is made easier on CMC's digital HazMon network
- Safer, more efficient operations with a lower cost of ownership!
- Industry leading Hazard Monitoring technology

Product Description

AdaptaNet is an automatic fault detection and isolation system for CMC single-wire bus networks. It immediately detects and isolates a faulty sensor from the network without that sensor disrupting the network. Detection time is immediate and the system is instantly back and operating normally with the faulty sensor isolated from the bus network. CMC's Intrinsically Safe (IS) HazMon systems are now even easier to troubleshoot than before enabling operators to run safer, more efficient operations.

AdaptaNet is designed to be a drop-in replacement backplane for existing NEMA4X field interconnect boxes. As a result, CMC's robust digital network is less susceptible to water ingress leading to nuisance alarms. In addition to providing immediate fault detection and isolation of faulty sensors on the network, AdaptaNet also provides a convenient method of connecting field devices to the HazMon network.

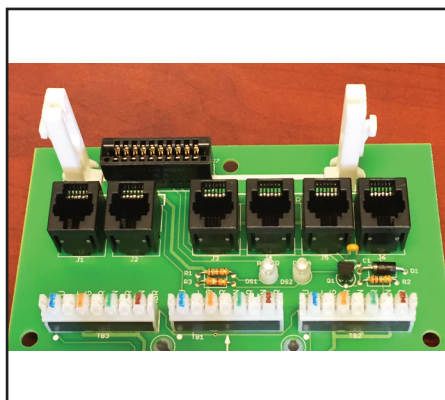
CMC's (IS) Hazard Monitoring systems are plug-and-play making it straightforward to replace faulty sensors and resume safe operation immediately – no special tools or training required. CMC's systems also have a lower cost to install using HazMon-in-a-box kits and a lower cost of ownership than legacy systems.

AdaptaNet BUS NETWORK FAULT DETECTION AND ISOLATION

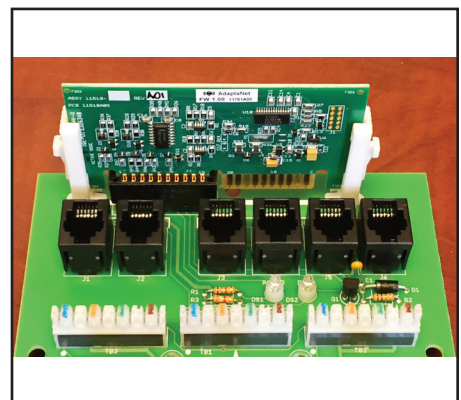
Specifications	Description	Characteristic
IS Sensor Bus	Voltage	5 VDC
	Communications	Single-Wire Bus
DC Power		4 -5.5 VDC
		0.8uA Typical
Environment	Operating Range	-40°F to +131°F (-40°C to +55°C)
	Relative Humidity	0 to 95% non condensing
FIB Enclosure Dimensions	Length	5.9" (150mm)
	Width	5.9" (150mm)
	Height	3.6" (90mm)
General Specifications	110 Style Insulation Displacement Connectors for CAT5 bus wiring	
	RJ11 modular connectors for 6 field devices	
	Segment isolation switches for 2 branch segments	
	LED indicators for power and data signals	
	Clamp bracket for shielded and direct burial CAT5 cables	
	Supplied in rugged plastic enclosure rated NEMA 4X enclosure with O-ring seal	



Backplane and AdaptaNet card installed inside FIB



Backplane ready for installation of AdaptaNet card



Backplane showing AdaptaNet card installed

ADAPTANET DS A00

888.421.4425 | sales@cmciel.com
 AGGROWTH.COM | CMCIEL.COM

