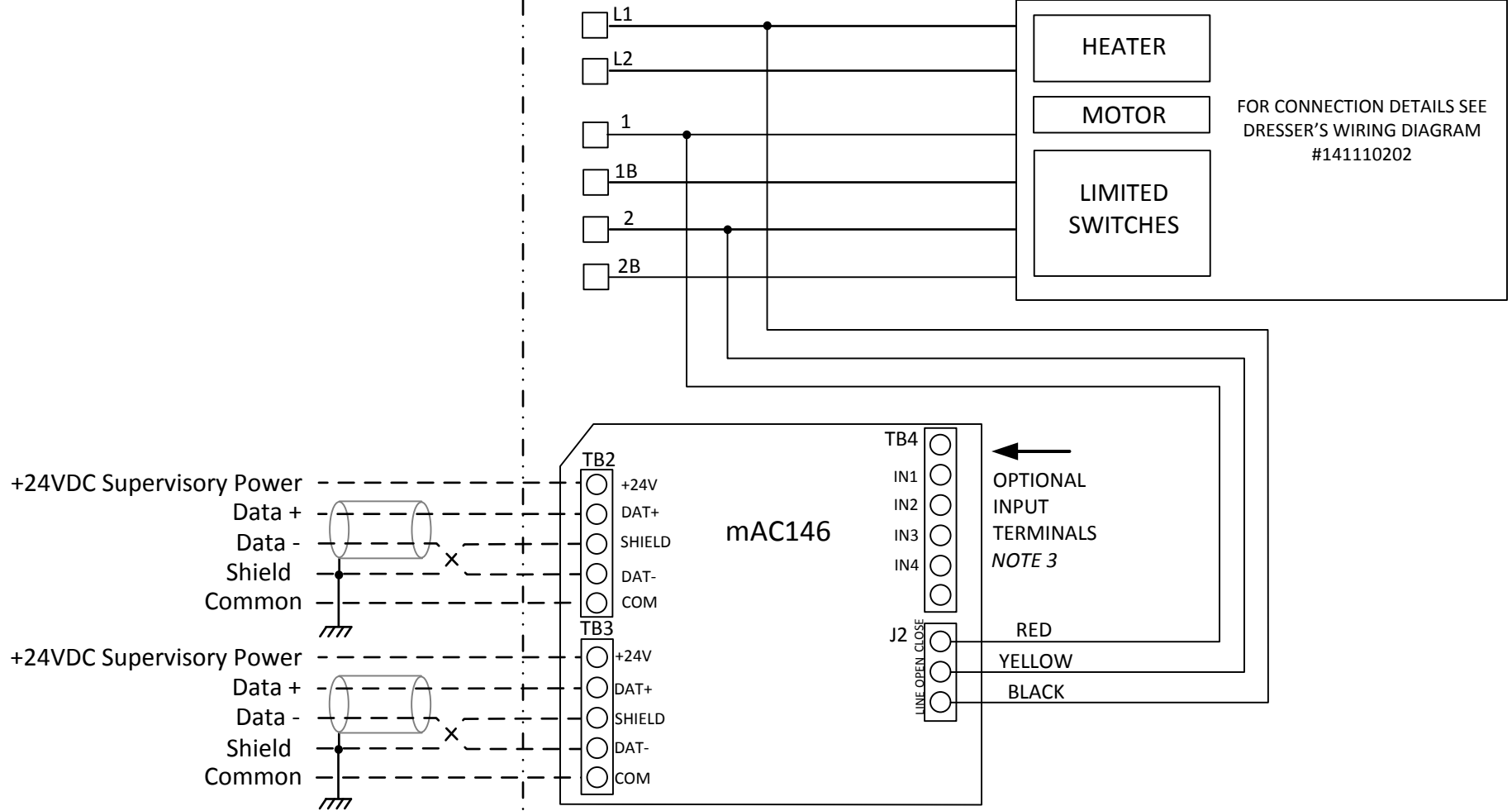


REV	DESCRIPTION	DATE	DRAWN	CHECKED	APP.

FIELD WIRING

ACTUATOR WIRING



NOTES:

1. CUSTOMER CONNECTION
2. --- CUSTOMER WIRING
3. OPTIONAL INPUTS SPECIFICATION  
 OPERATING VOLTAGE RANGE: 12-24VDC  
 VOLT. LIMITS: 8-36VDC  
 POWER: 18mW NOM  
 5mA@36VDC



CMC Industrial Electronics Ltd.  
Burnaby, BC Canada

**mAC146 ACTUATOR CONTROLLER  
WIRING DIAGRAM**

DO NOT SCALE	DRAWN BY: JP	REF: mAC146
DATE: JUN 02/14	CHECKED BY: VA	DRAWING NO: 11798
COPYRIGHT 2014	APPROVED BY: VA	REV: A00
PAGE: 1 OF 1		